

PHILIPS

Interact Pro Outdoor Parking Sensor

LCN41x0/x5



LCN41x0/05



LCN41x0/15

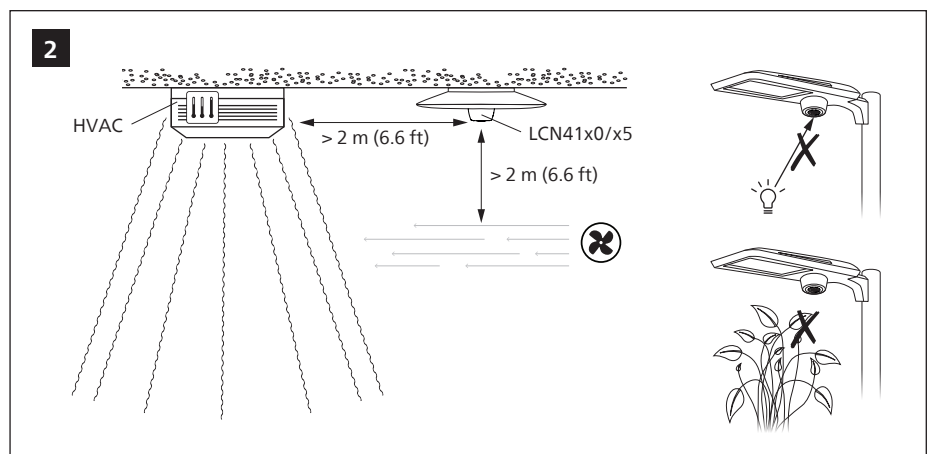
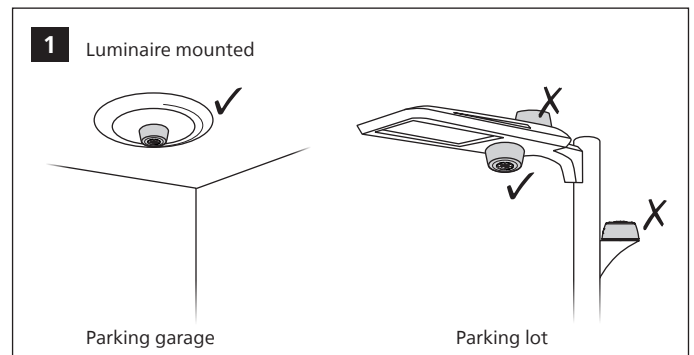
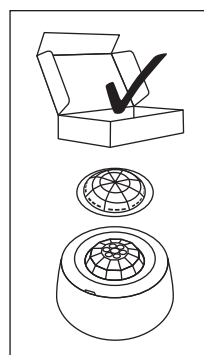
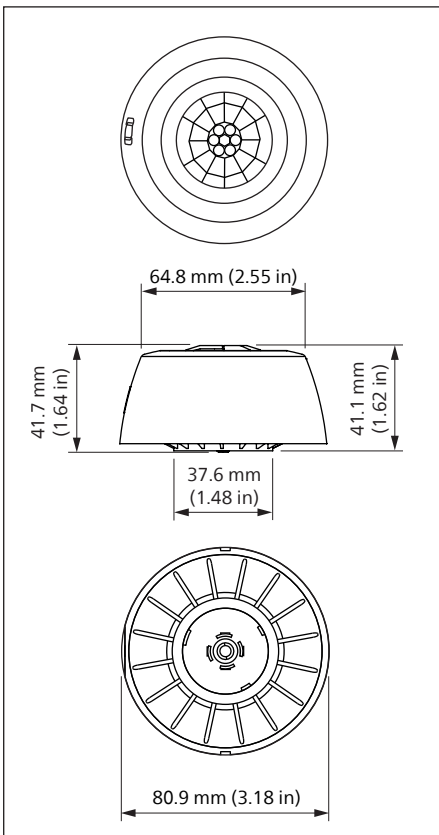
Installation Instructions

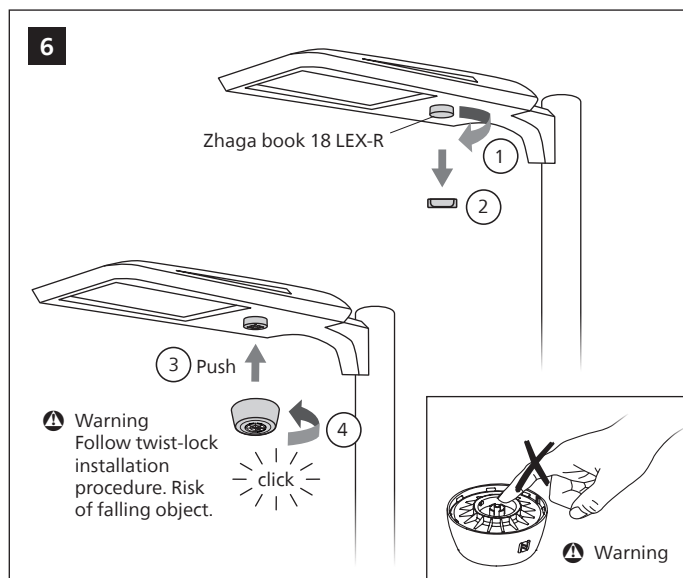
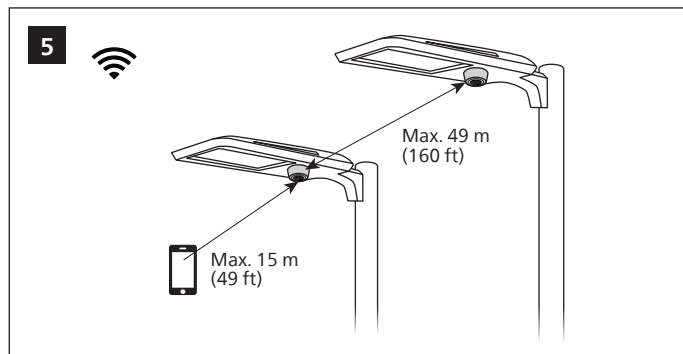
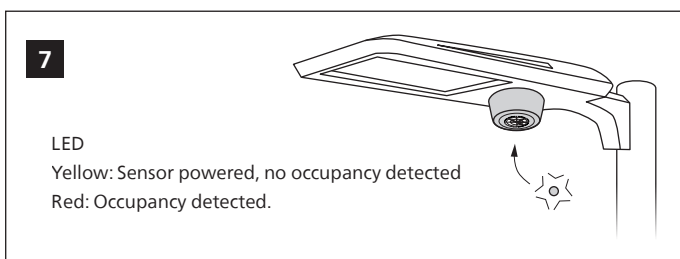
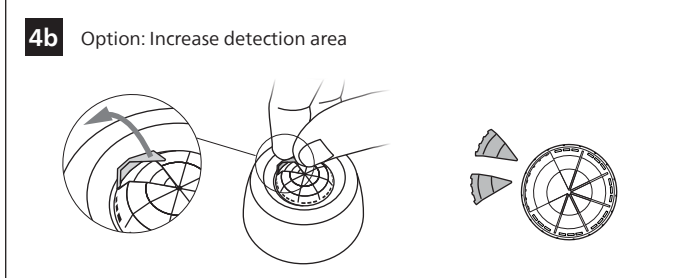
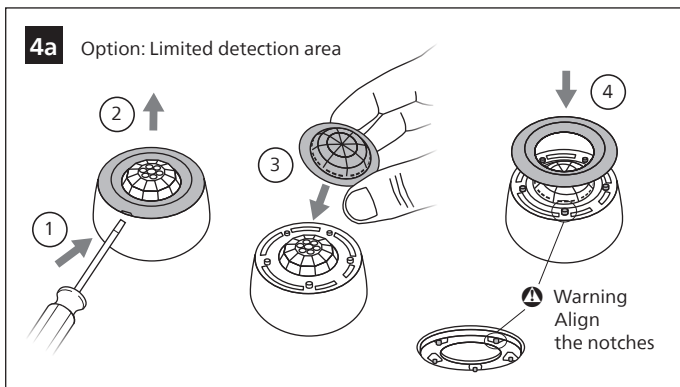
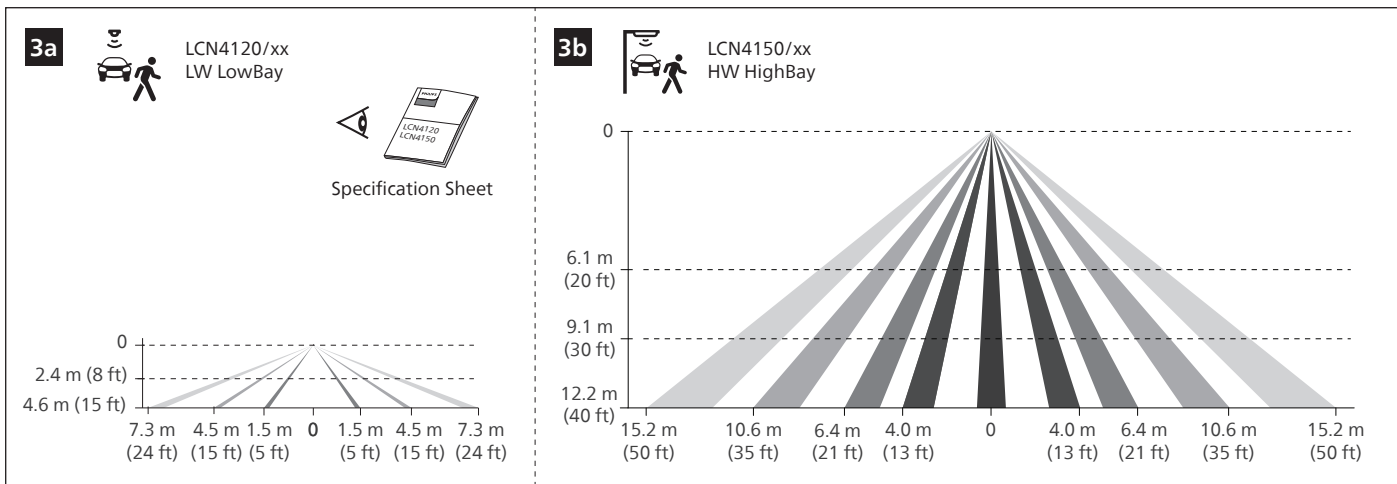
Instructions d'installation
Instrucciones de instalación

Istruzioni per l'installazione
Installatie-instructies

Installationsanweisungen
インストール手順

安裝指示书
إرشادات التركيب





(EN) FCC/IC compliance statement
This device complies with part 15 of the FCC rules for the United States and Industry Canada (IC) license-exempt RSS standard(s). Operation is subject to the following two conditions: (1) This device may not cause harmful interference, and (2) this device must accept any interference received, including interference that may cause undesired operation. Any changes or modifications not expressly approved by Signify could void the user's authority to operate this equipment. This product is intended for commercial use only.

RF Exposure Information
This device meets the EU requirements (2014/53/EU) on the limitation of exposure of the general public to electromagnetic fields by way of health protection. The device complies with RF specifications when the device used at 322 mm from your body.

Hereby, Signify declares that the radio equipment type LCN41x0/x5 is in compliance with Directive 2014/53/EU. The full text of the EU declaration of conformity is available at the following Internet address: <http://www.philips.com/red>

(FR) DÉCLARATION DE CONFORMITÉ À LA FCC/IC
Ce dispositif est conforme à la partie 15 des règles de la Federal Communications Commission (FCC) des États-Unis et d'Industrie Canada (IC) exempts de licence RSS norme(s). Son fonctionnement est assujéti aux deux conditions suivantes: (1) Ce dispositif ne doit pas provoquer de brouillage préjudiciable, et (2) il doit accepter tout brouillage reçu, y compris le brouillage pouvant entraîner un mauvais fonctionnement. Tous les changements ou modifications non expressément approuvés par Signify, sont susceptibles d'annuler le droit de l'utilisateur à se servir de cet équipement. Ce produit est exclusivement destiné à un usage commercial.

