

PHILIPS

UID8465/10

Wireless switch,
scene selection



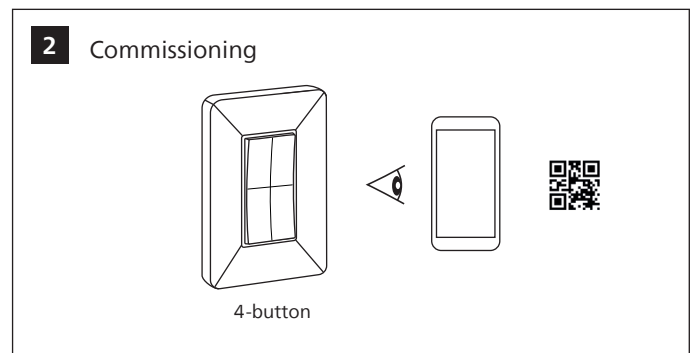
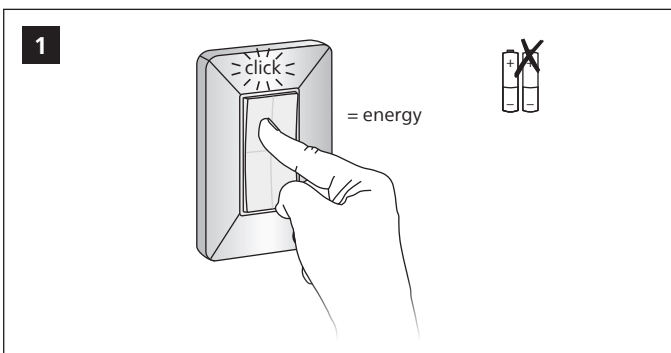
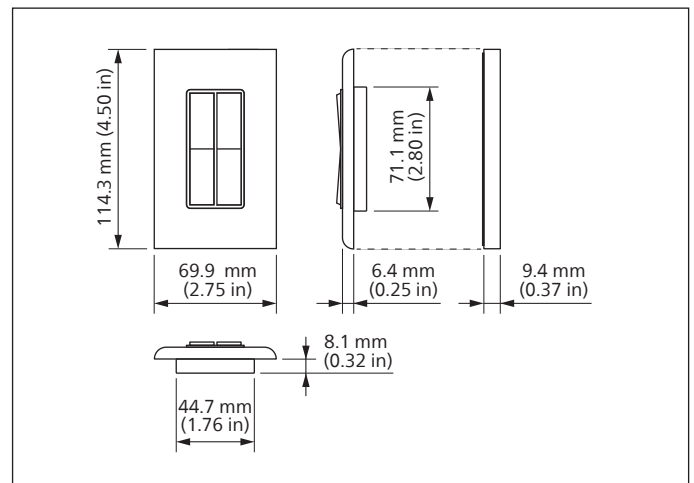
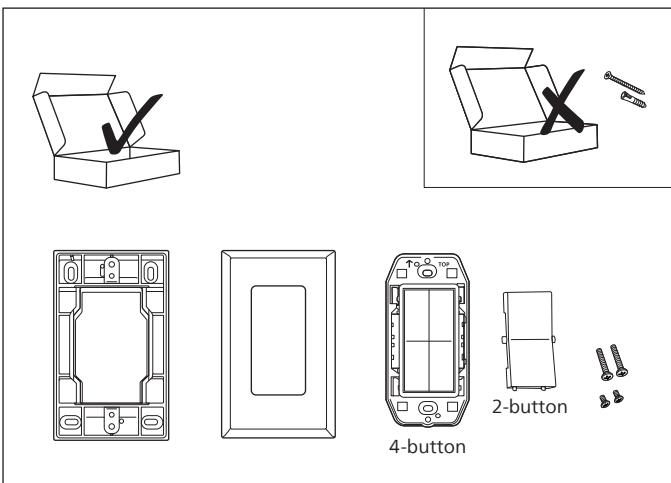
Installation Instructions

Instructions d'installation
Instrucciones de instalación

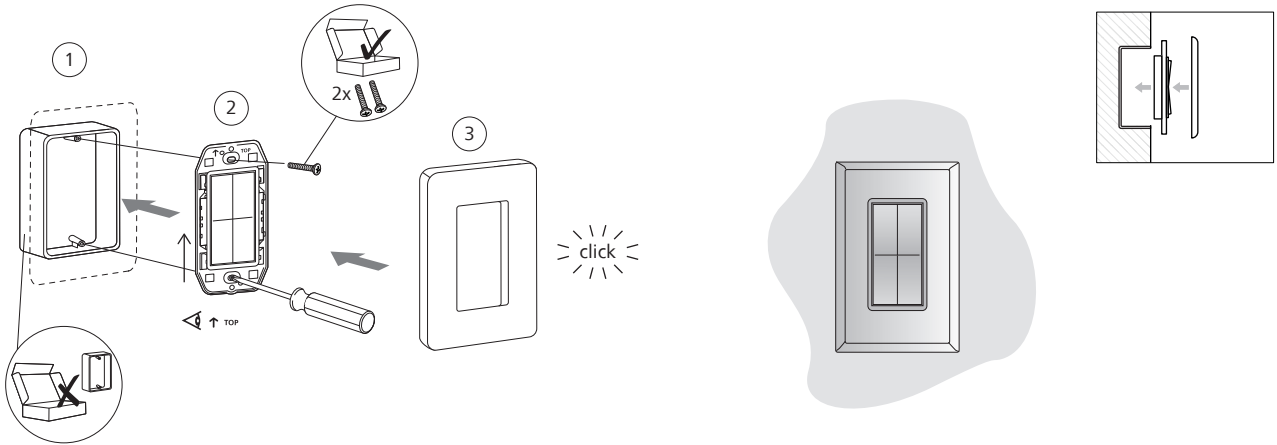
Istruzioni per l'installazione
Installatie-instructies

Installationsanweisungen
インストール手順

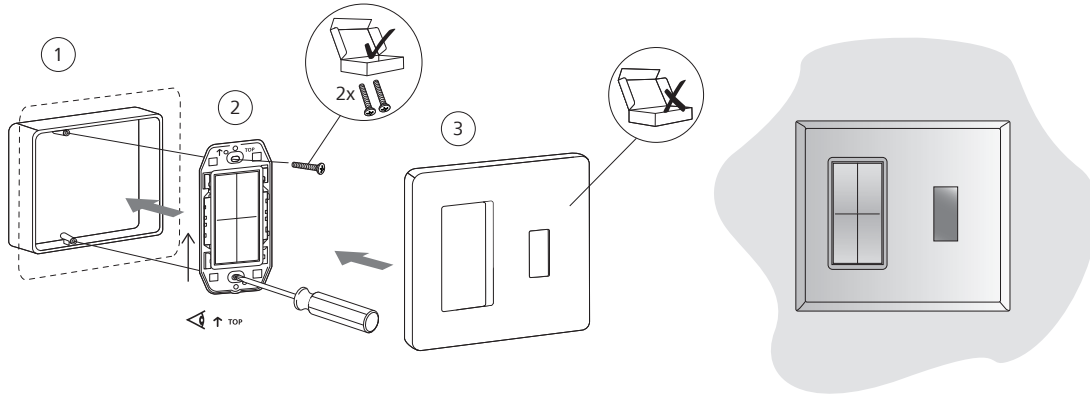
安裝指示书
إرشادات التركيب



4b Recessed mount on junction box



Or



Hereby, Signify declares that the radio equipment type UID8465/10 is in compliance with Directive 2014/53/EU. The full text of the EU declaration of conformity is available at the following Internet address: <http://www.philips.com/red>

