

PHILIPS

EasySense

SNS441 IA



Specification Sheet

SNS441 IA

Interact ready wireless transceiver

The Philips SNS441 IA luminaire-mount transceiver is the ideal solution for per-luminaire control of new light luminaires. It enables luminaire connectivity in a single, compact package for easy luminaire assembly. SNS441 IA operates with the established Xitanium SR driver standard to make a simple two-wire connection between transceiver and driver, thus eliminating the need for multiple components and auxiliary devices. The result is a cost effective and easy design-in solution ideal for energy-savings. An intuitive app makes configuration and commissioning during and after installation fast and easy.

SNS441 IA

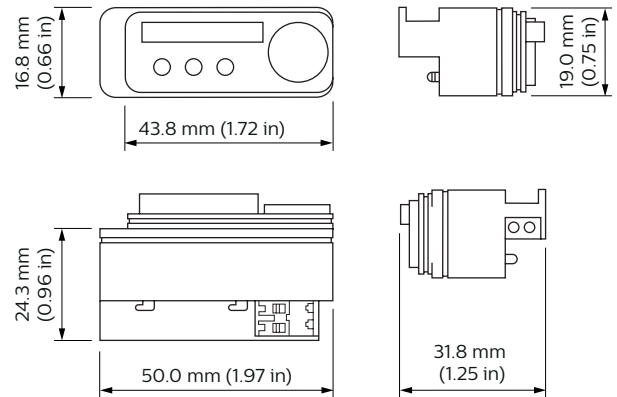
Features

- Compact size, 2-wire connection
- Operates with Philips Xitanium SR drivers and qualified wireless switches
- IR via intuitive Multi-One programming tool or NFC can be used, to optionally configure the sensor parameters

Benefits

- Fits into existing and new-design luminaires
- Enables a luminaire to connect to an Interact system
- Cost-effective solution for energysavings

Dimensional drawing

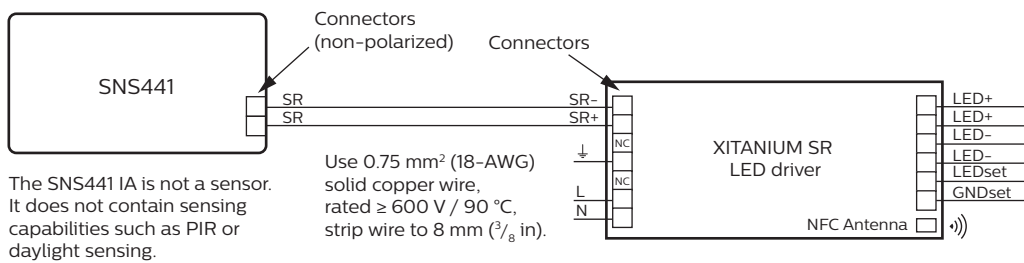


Transceiver

Applications

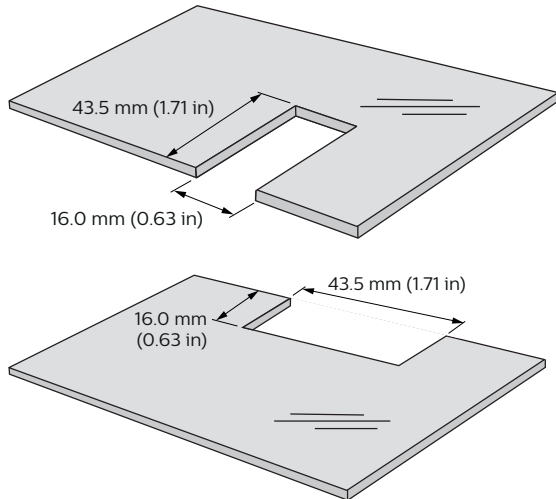
- Conference rooms
- Individual offices
- Open offices
- Classrooms
- Storage and break areas
- Restrooms
- Lobbies
- Stairways

Wiring diagram

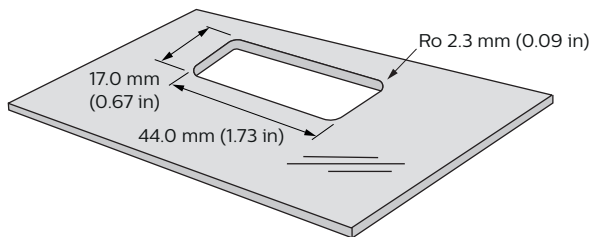


Mounting dimensions

Mounting in U-shaped slot in sheet metal (max thickness 1 mm), tolerance +0.2 mm/-0.0 mm.



Mounting in cut-out in sheet metal (thickness 0.7 mm to 1.2 mm), tolerance +/-0.2 mm.



IR receiver

The working range of IR receiver is within the taper area with an angle of 20°. The Philips IRT9015/ IRT9090 IR remote control is used to simply select luminaires during commissioning.

NFC

ISO 15693 compatible. To be used with appropriate NFC transceiver or smartphone with NFC. Operational distance up to 50 mm (2 in). Powered and/or non-powered.

Zigbee

This device is compatible with the Zigbee standard IEEE 802.15.4. Firmware updates can be sent over the air.

Bluetooth

This device is compatible with the Bluetooth Low Energy protocol 4.2 (5.1 compliant) standard.

Specifications

Physical information

Dimensions	50 x 19.0 x 31.5 mm (1.97 x 0.75 x 1.24 in)
Dimensions of the installation hole	44 x 17 mm (1.73 x 0.67 in)
Dimension of the cavity (L x W x H)	50 x 19 x 24 mm (1.97 x 0.75 x 0.94 in)
Net weight	17 g
Color	white
Connectors	WAGO 2060
Input wire cross-section (solid and stranded wire)	0.20 to 0.75 mm ² (24 to 18 AWG)

Environmental data

Operating temperature	0 to 55 °C (32 to 131 °F)
Storage temperature	-25 to 85 °C (-13 to 185 °F)
Humidity	0 to 95%, non condensing
Max case temperature (Tcase)	55 °C (131 °F)

Task tuning

Full light setting	0 to 100%
Digital interface	Xitanium SR

Electrical data

Input voltage	Powered by SR driver low-voltage interface
Typical current	13 mA
Typical power consumption	200 mW
Standby power	< 1 W on luminaire level, including driver standby power

Other

Energy reporting	Calculated from last 'power on': % On, energy consumed (Whr), system on time (hr), avg. power consumed (w-hr), lamp on-time (hr)
No. drivers per transceiver	1
Distance switch-to-first-luminaire	Max. 10 m (33 ft) line-of-sight
Distance luminaire-to-luminaire	Max. 12 m (39 ft) line-of-sight
Field configuration	Parameters set via intuitive app

Compliance

IP rating	IP20
Approbations	UL, FCC, IC



Ordering Data

Type	Order code
EasySense SNS441 IA	9290 028 77113

© 2021 Signify Holding. All rights reserved. Specifications are subject to change without notice. No representation or warranty as to the accuracy or completeness of the information included herein is given and any liability for any action in reliance thereon is disclaimed. Philips and the Philips Shield Emblem are registered trademarks of Koninklijke Philips N.V. All other trademarks are owned by Signify Holding or their respective owners.



www.philips.com/lighting