

PHILIPS

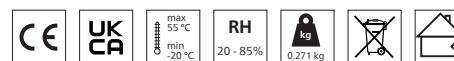
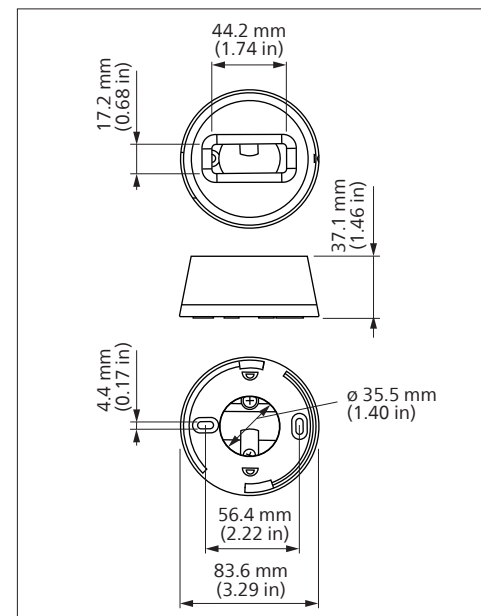
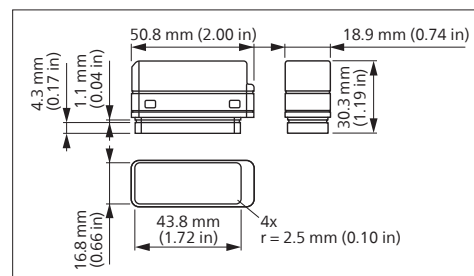
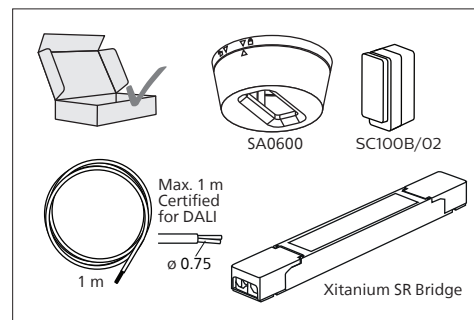
RF DALI Connector
Kit w SC100 IA

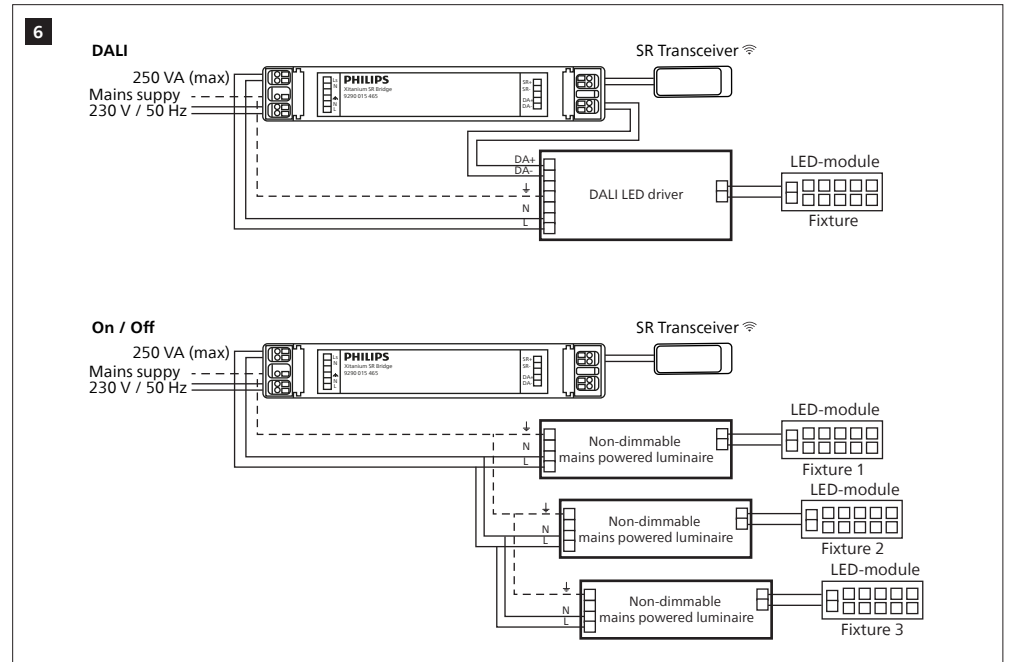
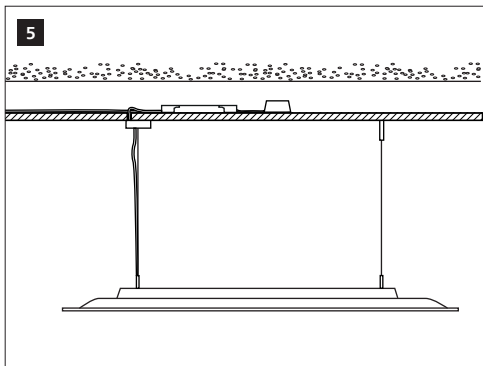
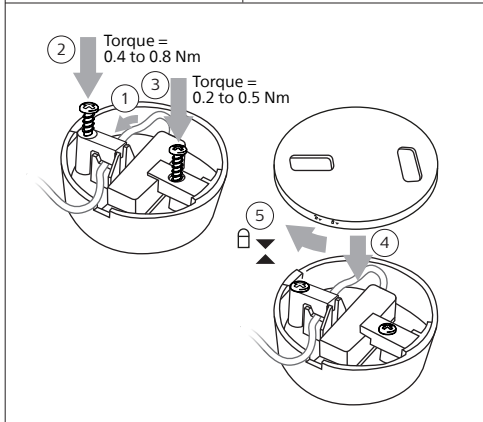
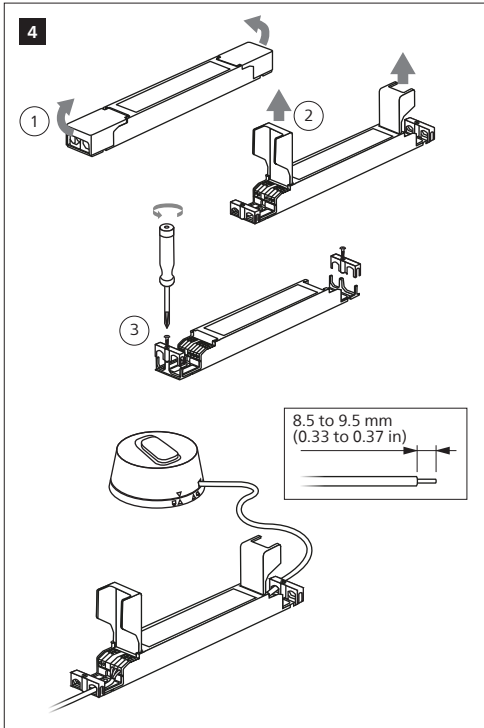
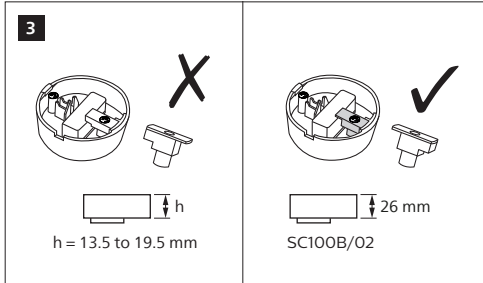
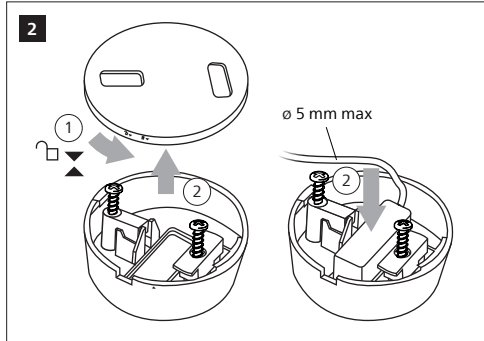
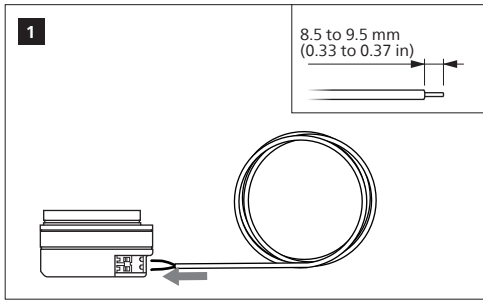
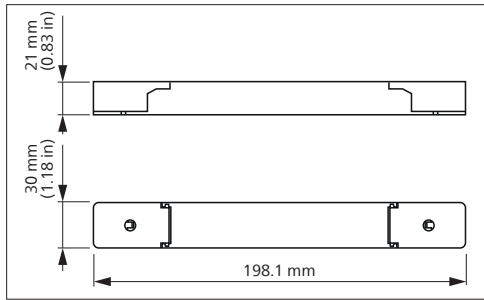
KT100



Installation Instructions

Instructions d'installation Istruzioni per l'installazione Installationsanweisungen 安装指示书
 Instrucciones de instalación Installatie-instructies インストール手順 إرشادات التركيب





⚠ Warning
Do not connect the RF-DALI connector to a DC power grid (for example a central emergency system).