

PHILIPS

SWS200

Wireless switch



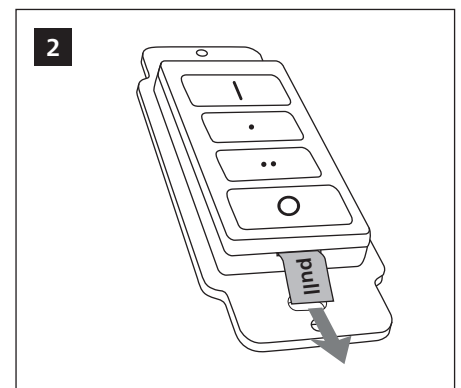
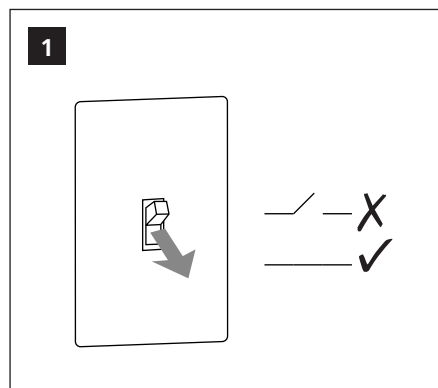
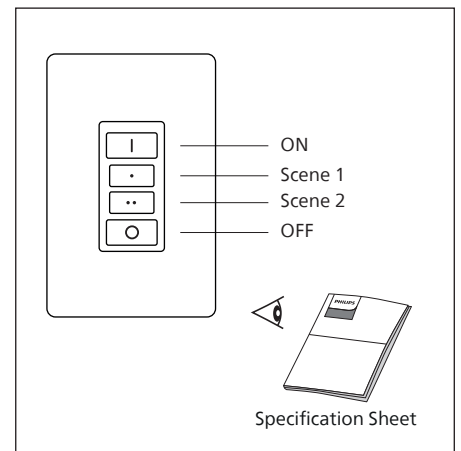
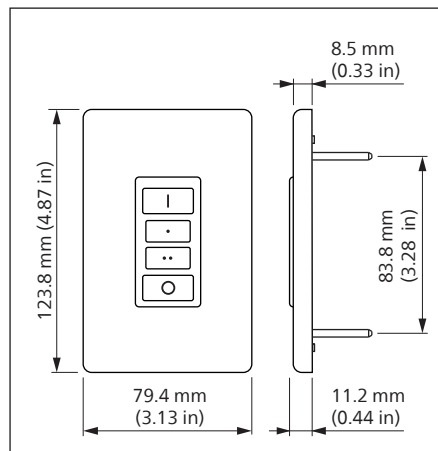
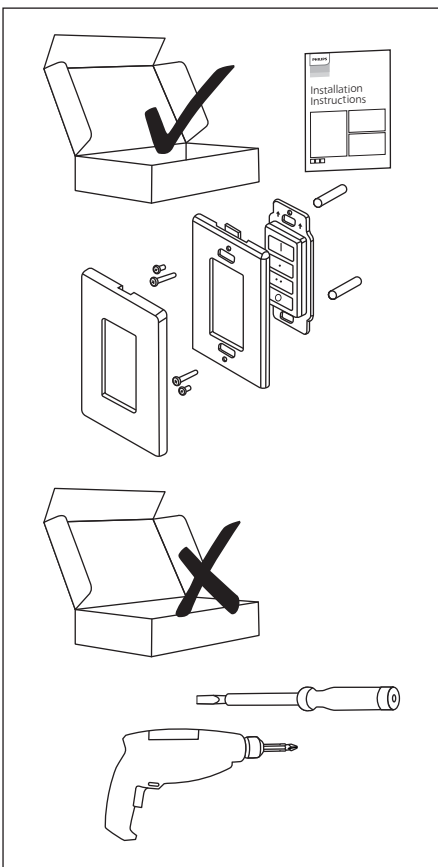
Installation Instructions

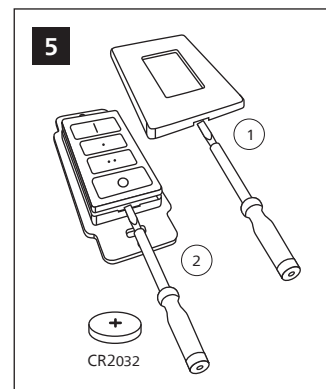
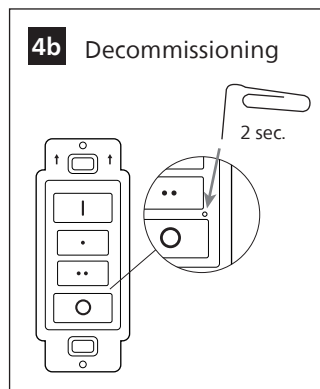
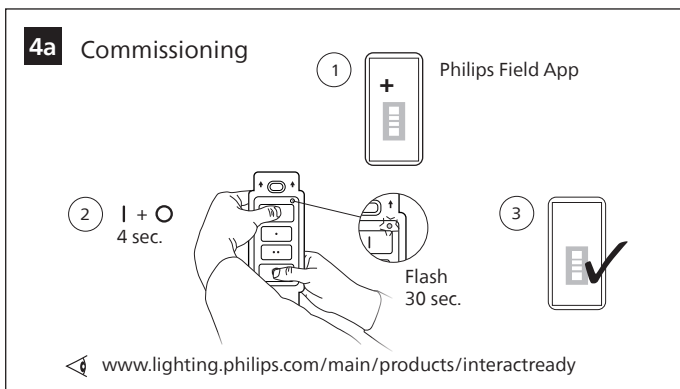
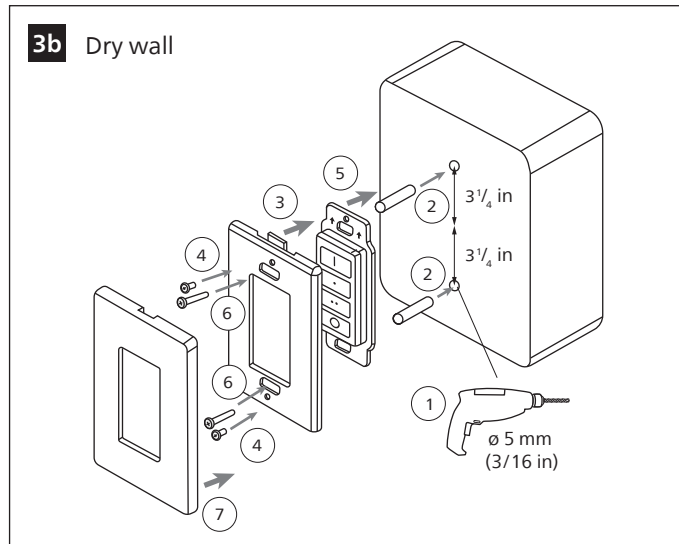
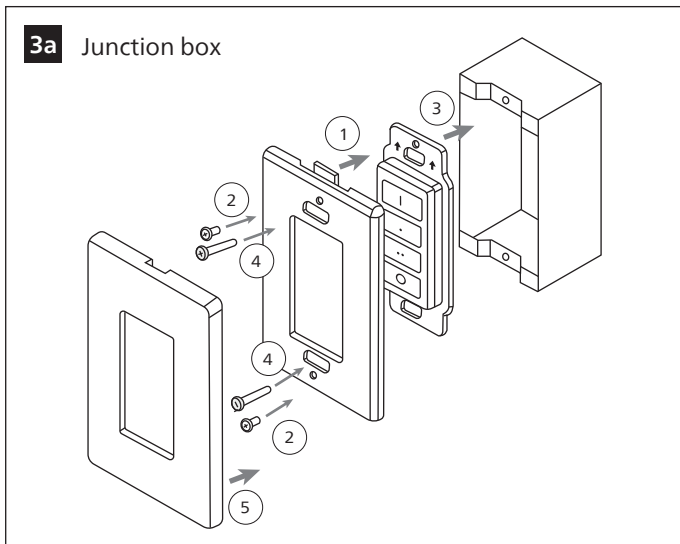
Instructions d'installation
Instrucciones de instalación

Istruzioni per l'installazione
Installatie-instructies

Installationsanweisungen
インストール手順

安装指示书
إرشادات التركيب





(EN) FCC/IC compliance statement
 This device complies with part 15 of the FCC rules for the United States and Industry Canada (IC) license-exempt RSS standard(s). Operation is subject to the following two conditions: (1) This device may not cause harmful interference, and (2) this device must accept any interference received, including interference that may cause undesired operation. Any changes or modifications not expressly approved by Signify could void the user's authority to operate this equipment. This product is intended for commercial use only.

FCC Radiation Exposure Statement
 This equipment complies with FCC radiation exposure limits set forth for an uncontrolled environment.
 This equipment must be installed and operated with minimum distance 200 mm between the radiator & your body.

IC Radiation Exposure Statement
 This equipment complies with IC RSS-102 radiation exposure limits set forth for an uncontrolled environment.
 This equipment must be installed and operated with minimum distance 200 mm between the radiator & your body.

(FR) DÉCLARATION DE CONFORMITÉ À LA FCC/IC
 Ce dispositif est conforme à la partie 15 des règles de la Federal Communications Commission (FCC) des États-Unis et d'Industrie Canada (IC) exempts de licence RSS norme(s). Son fonctionnement est assujéti aux deux conditions suivantes: (1) Ce dispositif ne doit pas provoquer de brouillage préjudiciable, et (2) il doit accepter tout brouillage reçu, y compris le brouillage pouvant entraîner un mauvais fonctionnement. Tous les changements ou modifications non expressément approuvés par Signify, sont susceptibles d'annuler le droit de l'utilisateur à se servir de cet équipement. Ce produit est exclusivement destiné à un usage commercial.

Cet équipement est conforme aux limites d'exposition aux rayonnements IC établies pour un environnement non contrôlé. Cet équipement doit être installé et utilisé avec un minimum de 20 cm de distance entre la source de rayonnement et votre corps.

(E) Notes

- Indoor use only with pollution desgree II
- Type 1 action, operatin control as specified in UL standard
- The switch contains no serviceable parts other than the replacement of the battery.

© 2019-2022 Signify Holding. All rights reserved. Specifications are subject to change without notice. No representation or warranty as to the accuracy or completeness of the information included herein is given and any liability for any action in reliance thereon is disclaimed. Philips and the Philips Shield Emblem are registered trademarks of Koninklijke Philips N.V. All other trademarks are owned by Signify Holding or their respective owners.
 4422 951 26372



(EN) ⚠ WARNING: Chemical Burn Hazard.
 Keep batteries away from children.

This product contains a lithium button/coin cell battery. If a new or used lithium button/coin cell battery is swallowed or enters the body, it can cause severe internal burns and can lead to death in as little as 2 hours. Always completely secure the battery compartment. If the battery compartment does not close securely, stop using the product, remove the batteries, and keep it away from children. If you think batteries might have been swallowed or placed inside any part of the body, seek immediate medical attention.

The cells shall be disposed of properly, including keeping them away from children; and even used cells may cause injury.

(FR) ⚠ AVERTISSEMENT: Risque de brûlure chimique.
 Tenez les piles hors de portée des enfants.

Ce produit contient une pile-bouton au lithium. Si une pile-bouton au lithium neuve ou usagée est avalée ou pénètre dans l'organisme, elle peut causer de graves brûlures internes et peut entraîner la mort en non moins de 2 heures. Toujours complètement refermer le compartiment des piles. Si le compartiment des piles ne se ferme pas correctement, cesser d'utiliser le produit, retirer les piles et maintenir l'appareil hors de portée des enfants. Si vous pensez que les piles ont pu être avalées ou insérées à l'intérieur de n'importe quelle partie du corps, consultez immédiatement un médecin.

Les piles-bouton doivent être éliminées correctement, et doivent être tenues hors de portée des enfants ; même les piles usagées peuvent causer des blessures.

(E) Note

This equipment has been tested and found to comply with the limits for a Class A digital device, pursuant to part 15 of the FCC Rules. These limits are designed to provide reasonable protection against harmful interference when the equipment is operated in a commercial environment. This equipment generates, uses, and can radiate radio frequency energy and, if not installed and used in accordance with the instruction manual, may cause harmful interference to radio communications. Operation of this equipment in a residential area is likely to cause harmful interference in which case the user will be required to correct the interference at his own expense.