

# PHILIPS

OCC0100A/02 BP Sensor WH,  
OCC0101A/02 DL BP Sensor WH

OCC SENSOR IA



## Specification Sheet

# OCC0100A/02 BP Sensor WH / OCC0101A/02 DL BP Sensor WH

Philips wireless occupancy sensor and multi sensor, which are Interact Ready, mean easy upgrade to a smart lighting system.

Its 2.4 GHz Zigbee technology enables reliable and secure communication towards the lights in your space.

It triggers automatic responses to turn on, or dim the lights according to occupancy detection and daylight variation.

The sensor is designed for office, school, education, healthcare and retail related indoor applications.

# OCC0100A/02 BP Sensor WH, OCC0101A/02 DL BP Sensor WH

## Product Features

### Occupancy Detection

- Passive Infrared (PIR) technology to detect occupancy accurately
- Adjustable sensitivity. Minimum false trigger

### Daylight Dependent Regulation (DDR)

- High accuracy of ambient light measurement from approximately 1 to 5000 lux at floor level
- Closed loop DDR
- Fast report for calibration

### Installation

- Battery-powered, no mains wire required
- Quick and easy mounting with double-sided tape or screws
- Walk test mode available for optimal detection
- Indoor use only

### Environment

- ROHS/REACH compliant
- No mercury
- Low carbon footprint

### Connectivity

- 2.4 GHz mesh networking technology
- Reliable and secure wireless communication, nominal range 15 m
- Easy commissioning

### Control Functionality

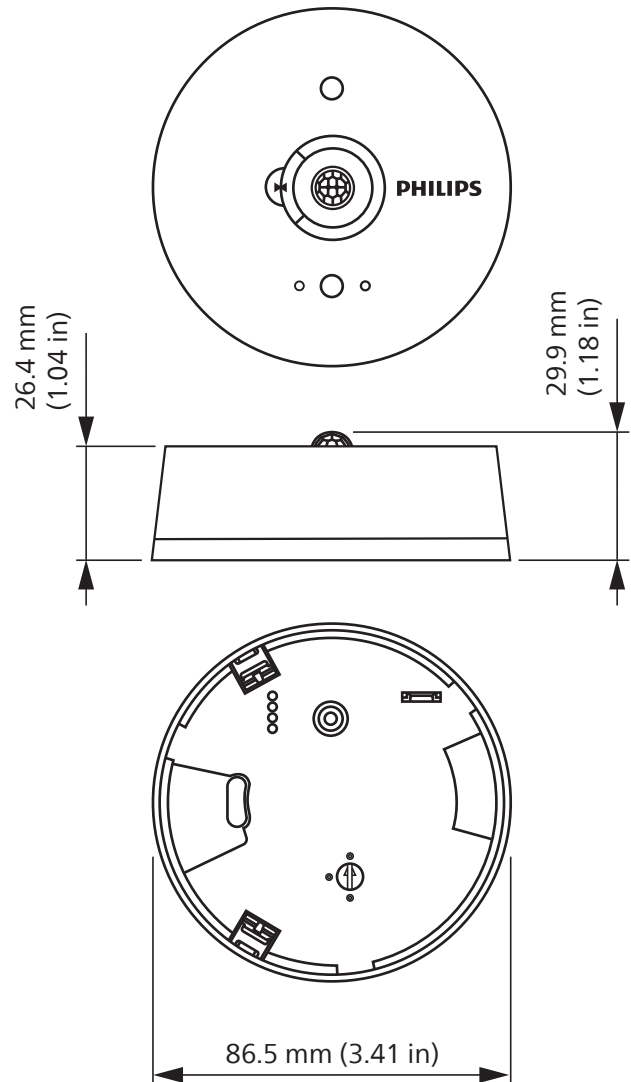
- Automatic light control based on occupancy detection and DDR
- Adjustable sensor parameters for personalized lighting behaviors

### Reliability

- Reliable operation between  $-5^{\circ}\text{C}$  and  $+45^{\circ}\text{C}$  ambient temperature.\*
- Battery life > 8 years. Minimum maintenance.
- MTBFP (Meantime Before False Positive motion sensor) > 500 hours at high sensitivity

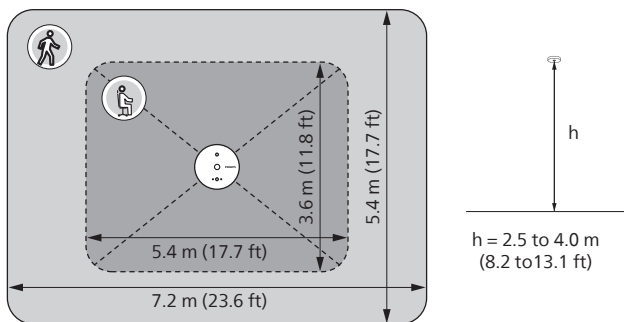
\* PIR sensing performance is affected by the difference in temperature between the moving object and the ambient.

## Dimensional drawings

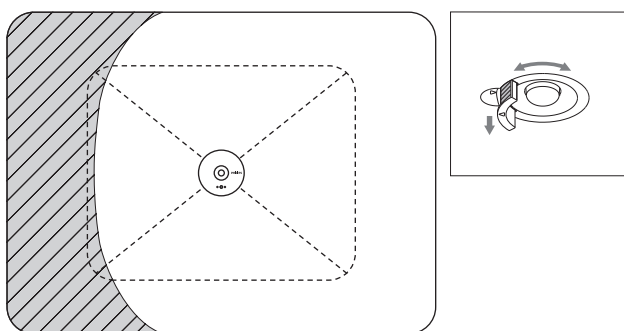


## Field-of-View

### Field-of-View motion



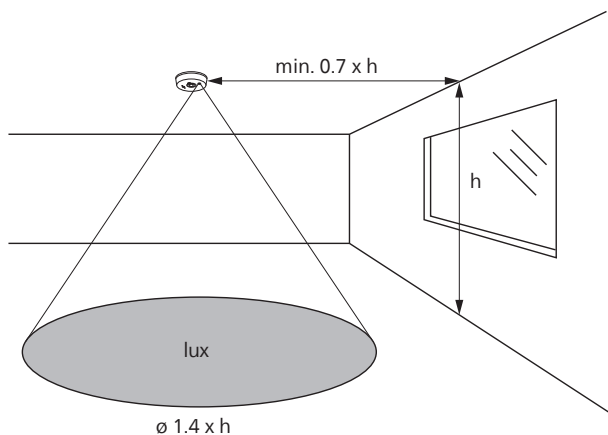
At  $h = 2.5\text{ m}$  (8.2 ft)



Use the plastic shield on top of the lens to reduce the motion field of view.

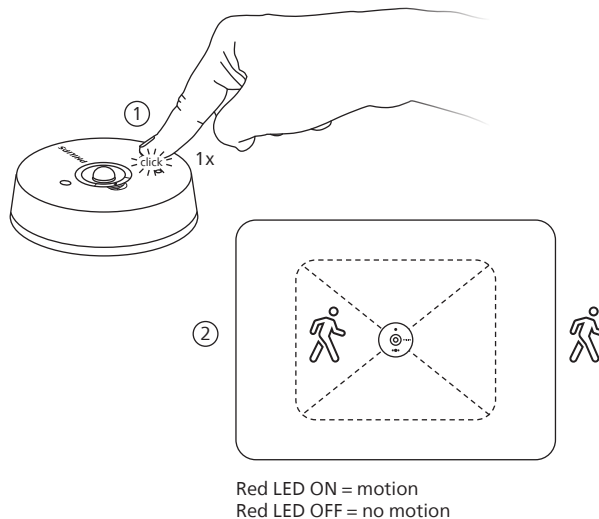
### Field-of-View daylight

Only applicable for the OCC0101A/02 DL BP Sensor WH.



## Walk test

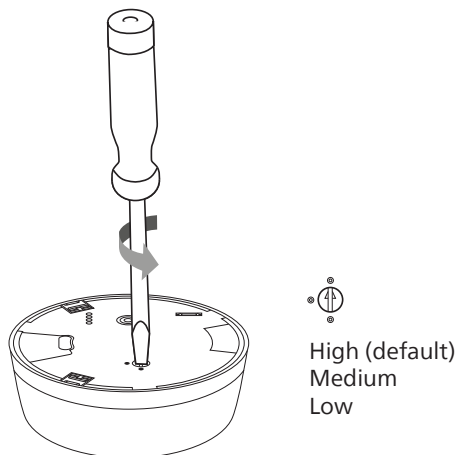
A walk test helps to determine the optimal location to place the sensor by quickly testing the occupancy detection coverage. This is ONLY possible after sensor has been commissioned.



- 1 Press once AFTER commissioning to enter/exit the mode
- 2 Red LED ON - motion  
Red LED OFF - no motion

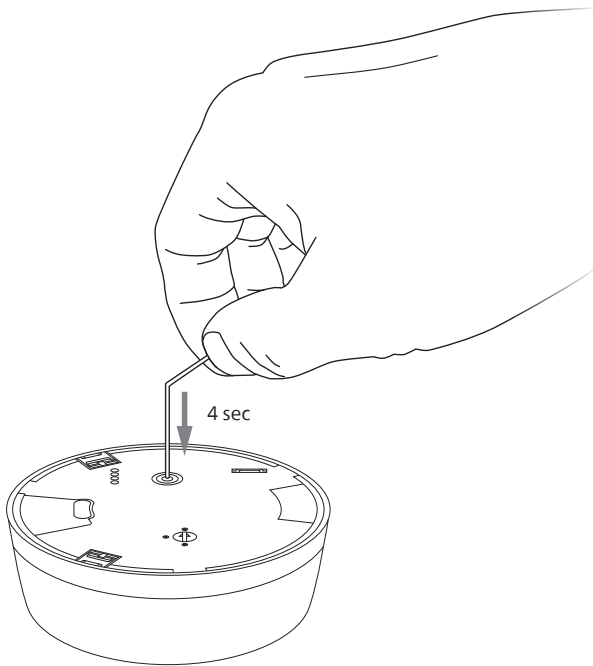
## Sensitivity

If needed, the sensitivity for motion detection can be adjusted with the dial at the back. Three sensitivity levels are available from Low, Medium to High (High as default).



## Factory reset

Performing a factory reset restores the sensor to the un-commissioned status. The sensor is removed from the current network (if any). To remove the device from a certain system, it is sometimes also required to delete it from the app. See the Commissioning Guide when necessary. The sensor automatically enters the commissioning mode after a factory reset.



2 x red and green LED blinks ✓

## LED indicator

### LED pattern

Green LED blinks every 10 s	Ready for commissioning
Green LED blinks every 2 s	Commissioning in progress
Green LED flash 2 x	Commissioning successful
Red LED flash 2 x	Commissioning failure
Green and Red LEDs flash 2 x	Successful factory reset
Red LED flash 1 x	Motion detected in walk test mode
Green LED flash 6 x	Occupancy detected
Red LED flash 3 x	Occupancy detected and battery low

# Specifications

## General

Weight	0.090 kg (3.17 oz)
Material	Polycarbonate
Color	White
Mounting height	≤ 4 m (≤ 13.1 ft)
Battery lifetime	Up to 8 years
RF range open-air	15 m (49.2 ft)
Daylight level	1 to 2 000 lx at sensor surface

## Functional

Motion detection	OCC0100A/02 BP Sensor WH OCC0101A/02 DL BP Sensor WH
Daylight	OCC0101A/02 DL BP Sensor WH

## Environmental

Temperature operational storage	-5 to +45 °C* -25 to +65 °C
Humidity	0 to 95% non-condensing
IP Rating	40

## Compliances

Battery information	1xR6, Li/SOCI2
Certifications	CE, UKCA, UL

\* PIR sensing performance is affected by the difference in temperature between the moving object and the ambient.



## Ordering Data

Type	Region	MOQ	Ordering number
OCC0100A/02 BP Sensor WH	Europe/GCGM	1	9137 010 67003
OCC0100A/02 BP Sensor WH	North America	1	9137 010 67013
OCC0101A/02 DL BP Sensor WH	Europe/GCGM	1	9137 010 67103
OCC0101A/02 DL BP Sensor WH	North America	1	9137 010 67113

© 2025 Signify Holding. All rights reserved. Specifications are subject to change without notice. No representation or warranty as to the accuracy or completeness of the information included herein is given and any liability for any action in reliance thereon is disclaimed. Philips and the Philips Shield Emblem are registered trademarks of Koninklijke Philips N.V. All other trademarks are owned by Signify Holding or their respective owners.



[www.philips.com/lighting](http://www.philips.com/lighting)