

# Signify

OCC-DL IA DALI  
WH 16M A

MPS3231/05



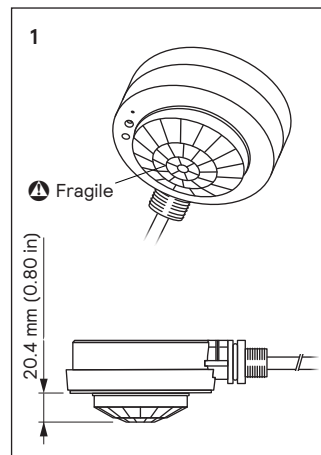
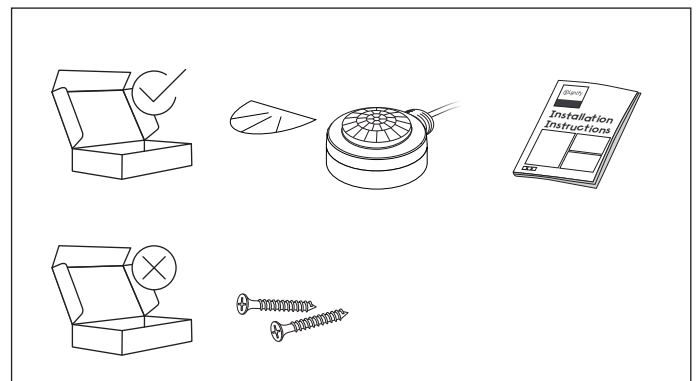
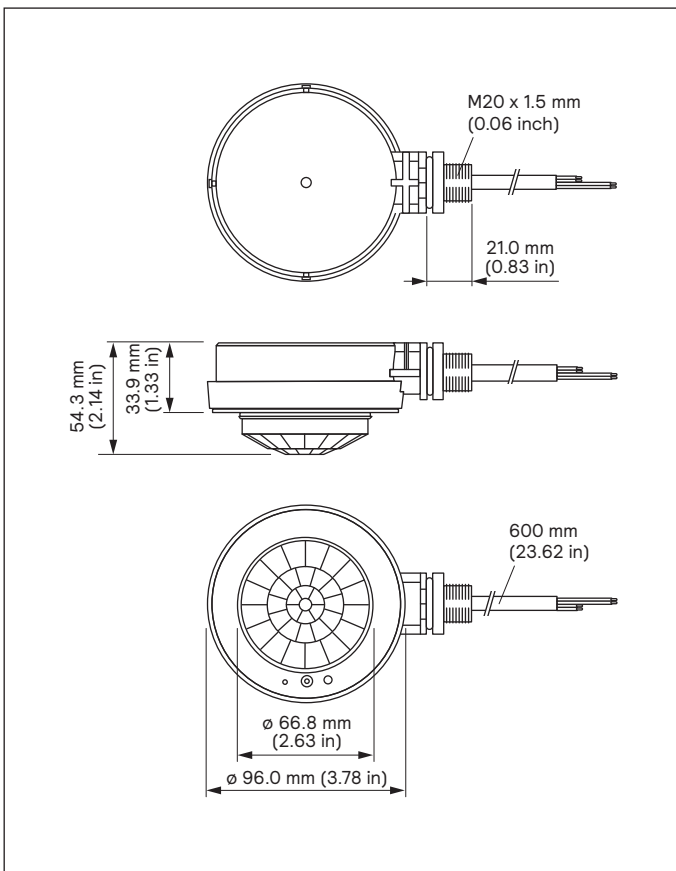
## Installation instructions

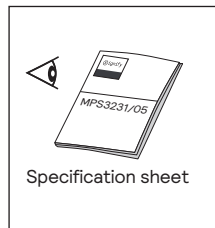
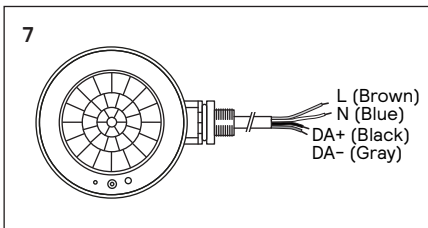
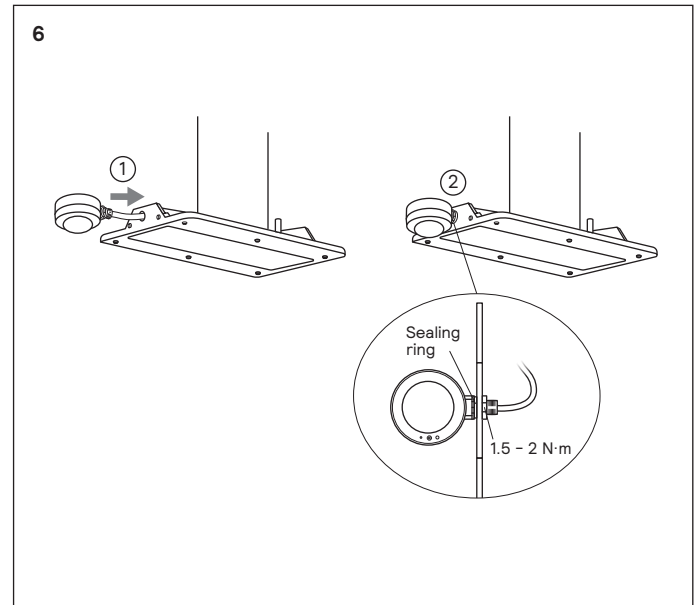
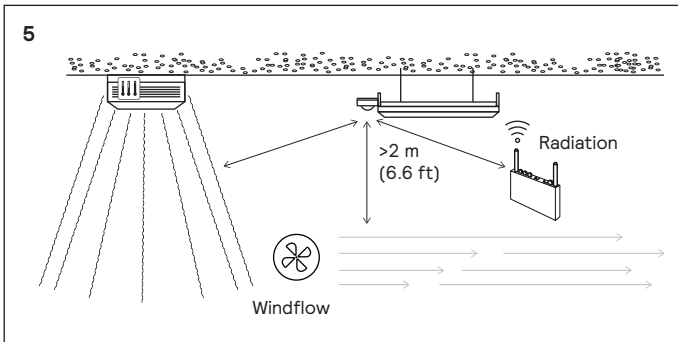
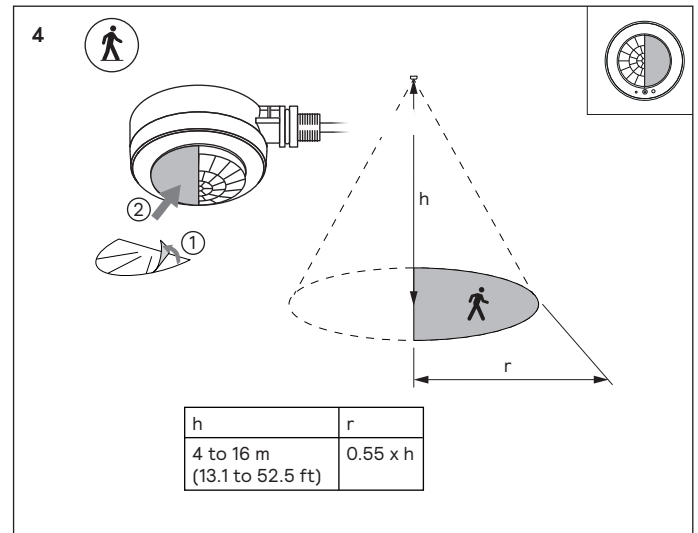
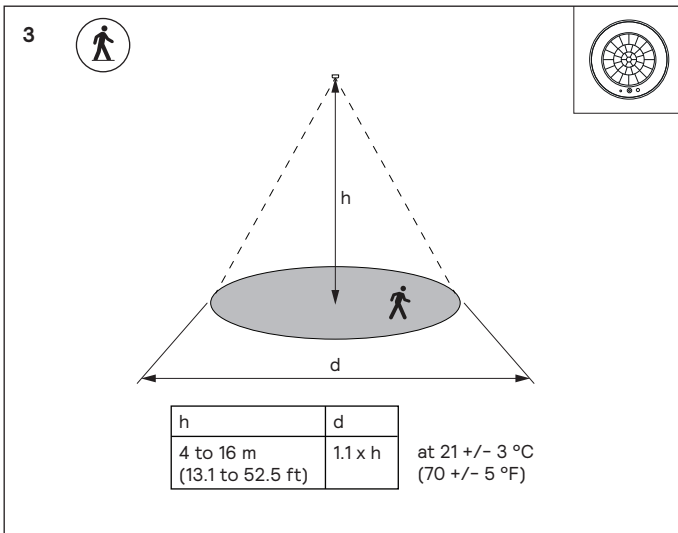
Instructions d'installation  
Instrucciones de instalación

Istruzioni per l'installazione  
Installatie-instructies

Installationsanweisungen  
インストール手順

安裝指示书  
بی‌یافتلہ تاداشری





**Note**

**RF Exposure Information**

This device meets the EU requirements (2014/53/EU) on the limitation of exposure of the general public to electromagnetic fields by way of health protection. The device complies with RF specifications when the device is used at 20 cm from your body.

**Warning**

Do not use any chemical cleaning agents on the MPS3231/05

Hereby, Signify declares that the radio equipment type MPS3231/05 is in compliance with Directive 2014/53/EU. The full text of the EU declaration of conformity is available at the following Internet address: [www.signify.com/red](http://www.signify.com/red)



© 2025 Signify Holding. All rights reserved. The information provided herein is subject to change, without notice. Signify does not give any representation or warranty as to the accuracy or completeness of the information included herein and shall not be liable for any action in reliance thereon. The information presented in this document is not intended as any commercial offer and does not form part of any quotation or contract, unless otherwise agreed by Signify. All trademarks are owned by Signify Holding or their respective owners.

UK importer address:  
Signify Commercial UK Limited  
2 Guildford Business Park  
GU2 8XG, UK

