

PHILIPS

OCC-DL IA WH 8M

MPS3100/05



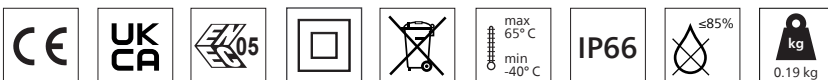
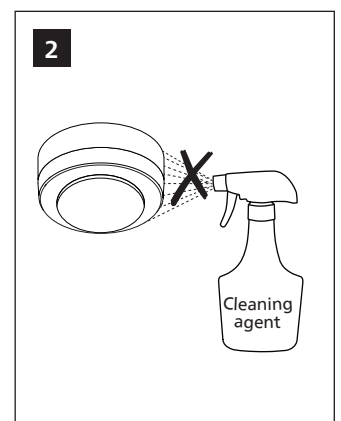
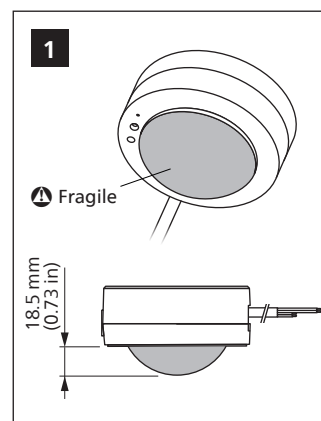
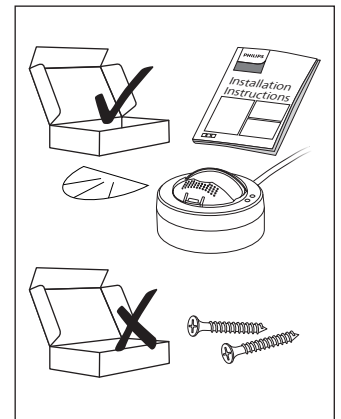
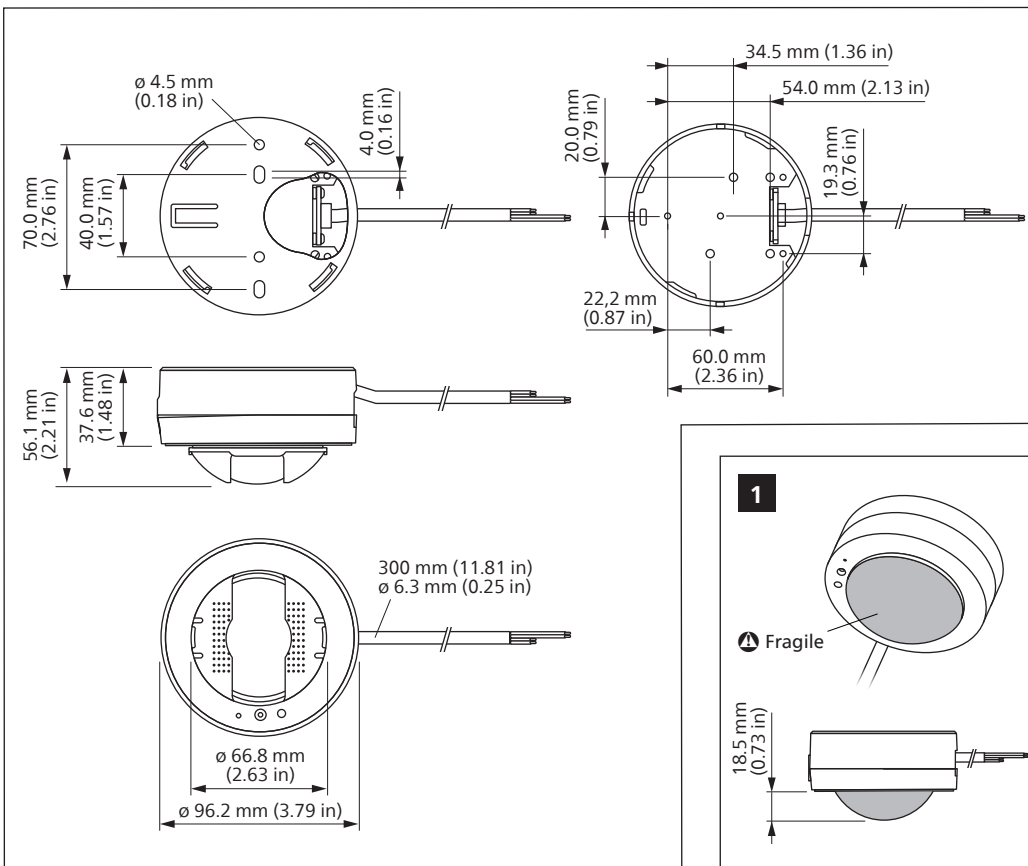
Installation Instructions

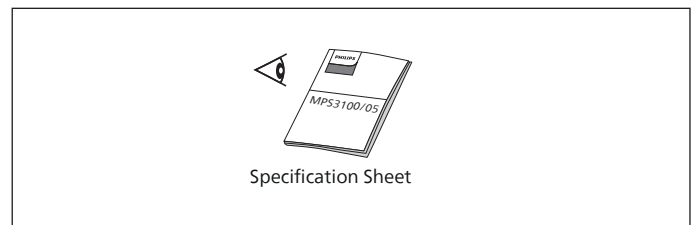
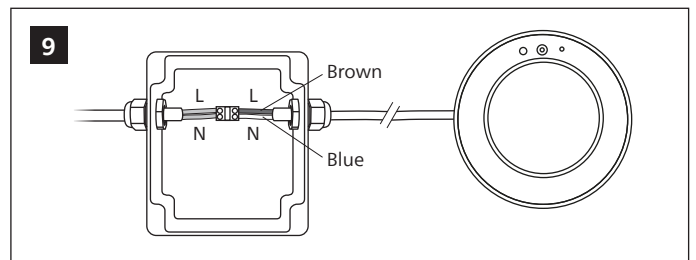
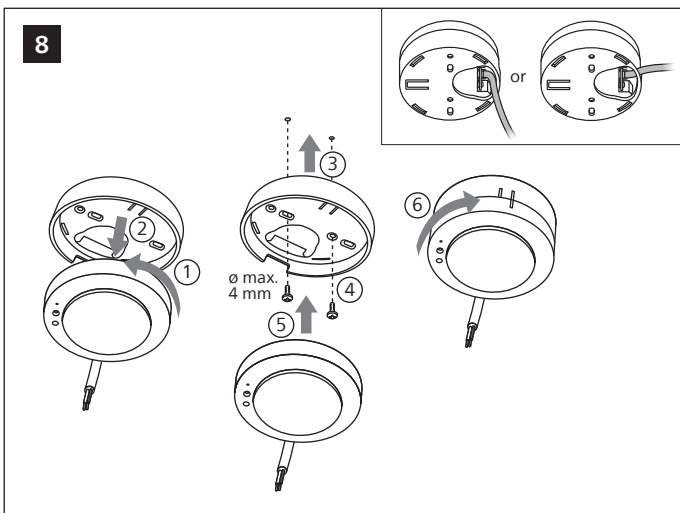
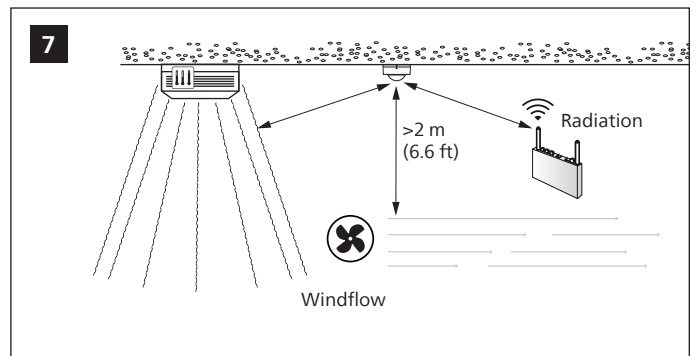
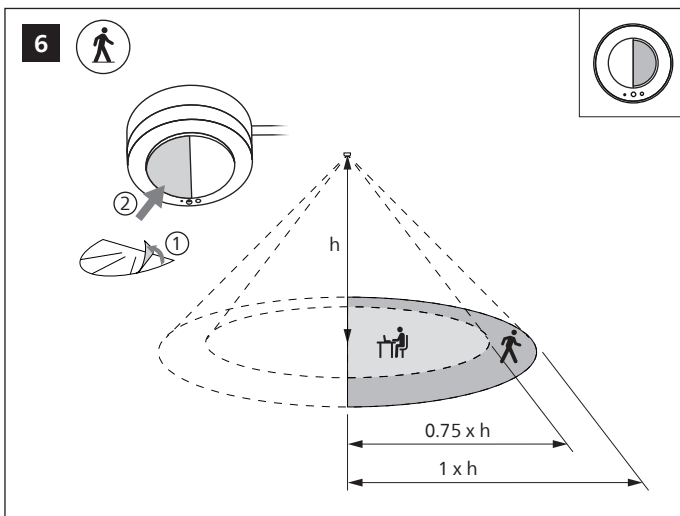
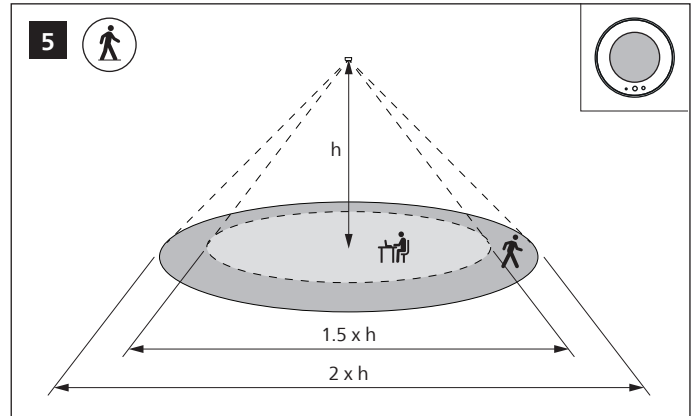
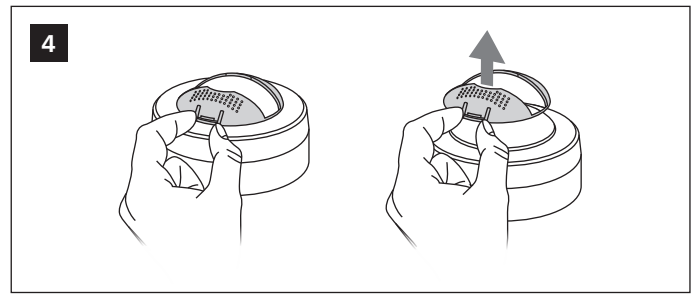
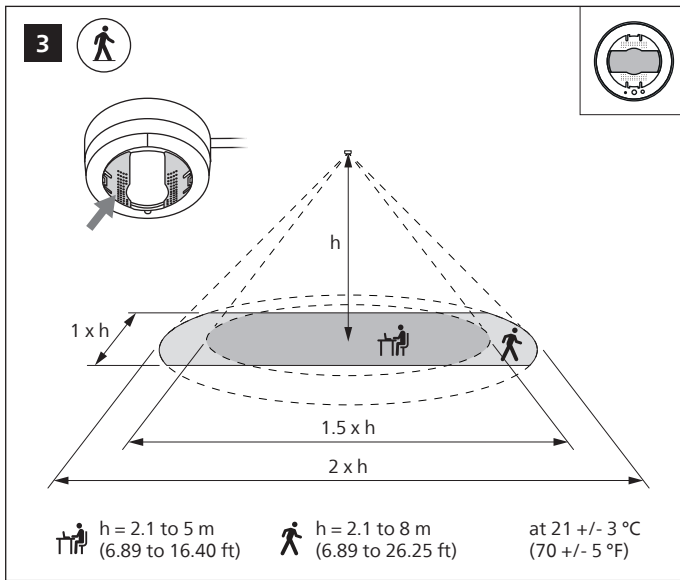
Instructions d'installation
Instrucciones de instalación

Istruzioni per l'installazione
Installatie-instructies

Installationsanweisungen
インストール手順

安裝指示书
إرشادات التركيب





Note
RF Exposure Information
This device meets the EU requirements (2014/53/EU) on the limitation of exposure of the general public to electromagnetic fields by way of health protection. The device complies with RF specifications when the device used at 32.11 cm from your body.

Hereby, Signify declares that the radio equipment type MPS3100/05 is in compliance with Directive 2014/53/EU. The full text of the EU declaration of conformity is available at the following Internet address: <http://www.philips.com/red>

Warning
Do not use any chemical cleaning agents on the MPS3100/05.

