

PHILIPS

PS MP Sensor WH
RF Switch Relay

RFSR20



Specification Sheet

RFSR20

Interact Ready RF Switch Relay

- Output control loads up to 20 A general purpose, 16 A electronic ballasts or 1.12 kW (1.5 hp) motor loads
- 0-10 V dimming control
- Plenum rated design with easy junction box mounting
- Universal Input Voltage 120/277/347 V_{ac} (neutral required)
- Fails safe to 70% if communications are lost

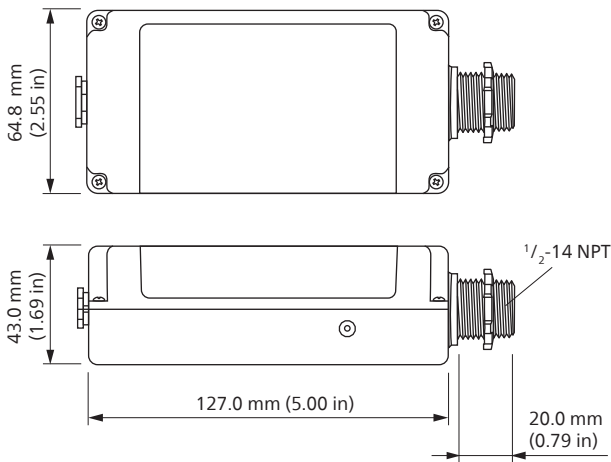
RFSR20

Product description

The RFSR20 RF Switch Relay with 0-10V control is an integral part of the Interact connected lighting system and offers a 120/277/347 V_{ac}, 20 A relay control and continuous 0-10V dimming control of LED and non LED loads.

The relay switchpack with 0-10V control also supports 20 A plug load control. The RFSR20 is powered by the 120/277/347 Vac circuit it is controlling and provides simple 1/2" knockout mounting. The relay switchpack with 0-10V control operates on a wireless mesh network based on IEEE 802.15.4 standards.

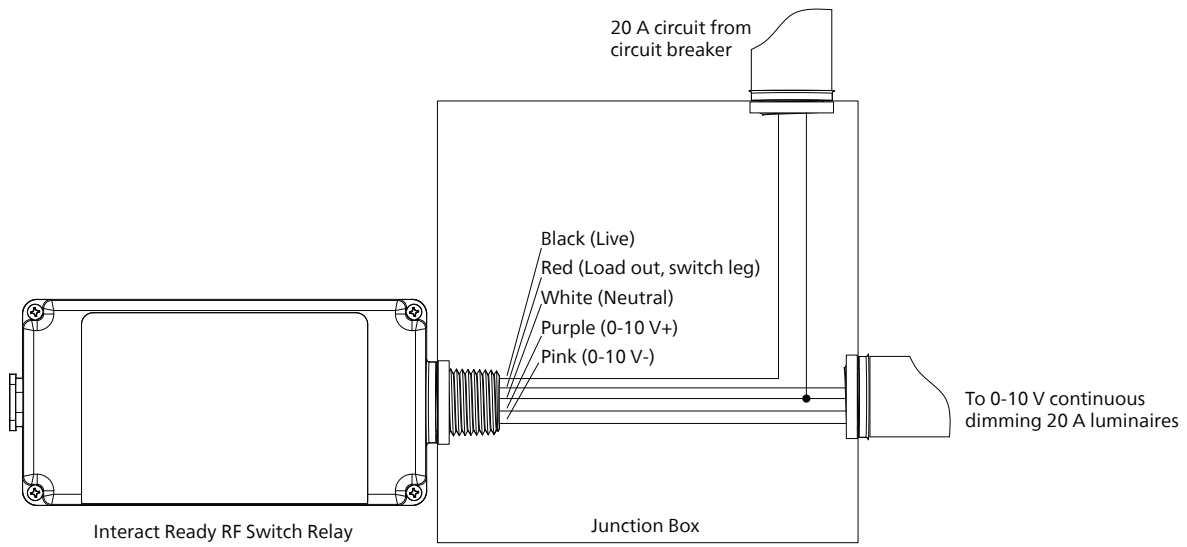
Dimensions



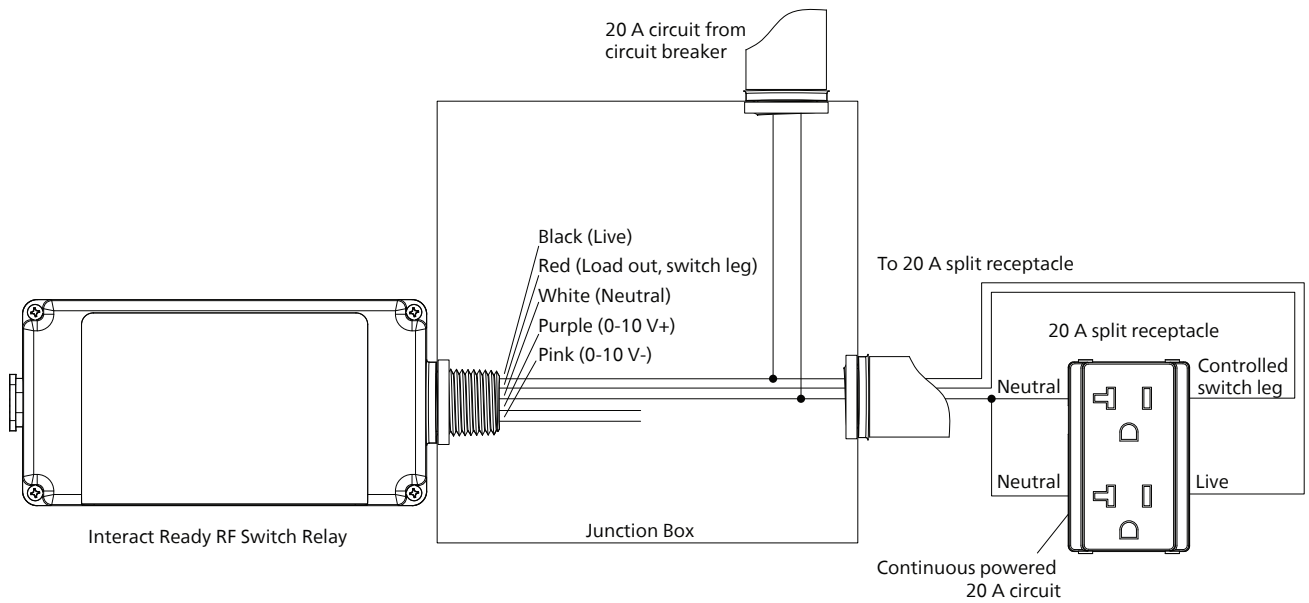
Features and benefits

- The built-in relay is used to control plug loads or luminaires that are not equipped with a transceiver.
- Designed to operate on mains input voltages 120/277/347 V_{ac}.
- Provides simple 1/2" knockout mounting.
- The device is Interact ready and can be easily linked to a wireless standalone or connected lighting system.
- The device is easy to install and use. Additional information is available in the appropriate installation instructions.
- Designed with safety in mind: when communication is lost, the connected devices switch ON and the dimmer is set to a 70% light level.

Wiring diagram 0-10 V dimming luminaire



Wiring diagram split receptacle



Specifications

Electrical

Supply options

Input voltage	120/277/347 V _{ac} ±10%, 50/60 Hz
Power consumption	Max. 6.9 W

Output

General purpose	120/277/347 V _{ac} , 20 A
Electronic ballast (LED load)	120/277/347 V _{ac} , 16 A
Single class 2 0-10V dimming output (IEC 60929 Annex E)	sinks max. 0.12 A (max. 40 µA leakage to line)
0-10V output	up to 60 outputs with each a max. 2 mA load

Wireless

MRadio frequentie	2.4 GHz
Standard	IEEE 802.15.4
Transmitter power	+10 dBm

Range

Line of sight	46 m (150 ft)
Indoors	15 m (50 ft) with two walls between the devices

Physical

Dimensions (length, width, height)	155.0 x 64.8 x 43.0 mm (6.10 x 2.55 x 1.69 in)
Weight	223 g (0.492 lb)
Housing	Medium impact injection molded housing. ABS resin with 5 VA flame rating. Plenum rated for external junction box mounting with Teflon coated leads.
Color	Matte white
Mounting	Mounts to the side of a 102 mm (4") square box via 13 mm (1/2") knockout

Environment

Temperature (operating)	0 to 40 °C (32 to 104 °F)
Relative humidity	10 to 90%, non-condensing
Temperature (storage)	0 to 70 °C (32 to 158 °F)

Compliances and approvals

Certifications	UL, FCC
Manufacturing	ISO 9001
Requirements	ASHRAE Standard 90.1, IECC, CEC



Packing Data

Type	Dimensions	Qty/Box	Material	Weight (net)	Weight (gross)
RFSR20	155.0 x 64.8 x 43.0 mm (6.10 x 2.55 x 1.69 in)	1	Cardboard	223 g (0.492 lb)	261 g (0.576 lb)

Ordering data

Type	MOQ	Ordering number	UPC code level 1	UPC code level 3	Catalog code
RFSR20 RF Switch Relay	1	9137 010 66813	046677584559	50046677584554	RFSR20

© 2022-2023 Signify Holding. All rights reserved. Specifications are subject to change without notice. No representation or warranty as to the accuracy or completeness of the information included herein is given and any liability for any action in reliance thereon is disclaimed. Philips and the Philips Shield Emblem are registered trademarks of Koninklijke Philips N.V. All other trademarks are owned by Signify Holding or their respective owners.

