

PHILIPS

Outdoor Parking
Sensor

LCN4120/x5
LCN4150/x5



Specification Sheet

LCN4120/05, LCN4120/15, LCN4150/05, LCN4150/15 Outdoor Parking Sensor

The Outdoor Parking Sensor is part of a luminaire-based lighting control system.

LCN41x0/x5

Features

- Interact ready
- PIR motion sensor for occupancy detection
- Light sensor for closed loop daylight regulation
- Infrared receiver module for IR remote control
- Zigbee and Bluetooth Low Energy (BLE) transceiver
- Luminaire integration with Zhaga Book 18 connector

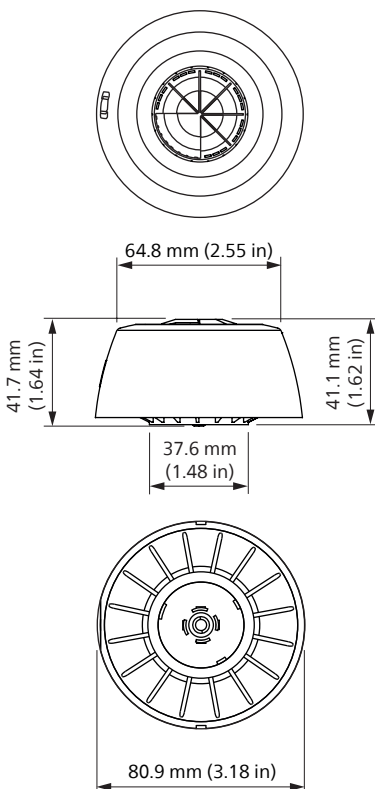
Benefits

- Up to 75% energy savings
- Wireless communication, no extra wiring required
- Easy grouping of luminaires with sensor during setup process
- Supports standalone mode and connection to gateway for energy reporting
- Two lens options for installation heights up to 15 ft (4.6 m) and up to 40 ft (12.2 m)
- Unique 32-bit sensor identifier and encrypted wireless communication prevents interference with other devices

Applications

Typical application areas are outdoor parking lots and covered parking garages. The LCN4120/x5 sensor is suited for mounting heights from 2.1 to 4.6 m (7 to 15 ft), LCN4150/x5 is suited for mounting heights from 4.6 to 12.2 m (15 to 40 ft). Sensitivity patterns change according to the mounting height.

Dimensional drawing



LED indicator

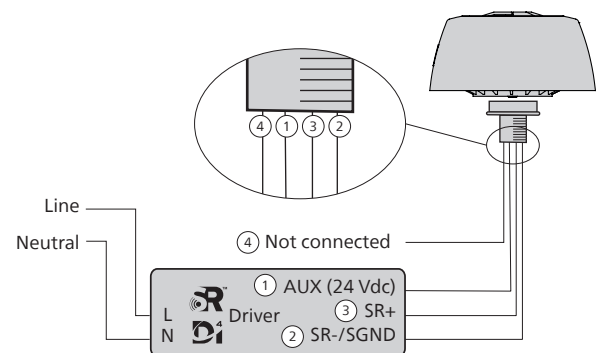
The sensor features two integrated LEDs (red and yellow) to indicate the functioning of the PIR sensor. The LED light guide is integrated in the service button. The LED color definition is at below.

Steady red	presence/movement detected
Steady yellow	Sensor is working but no presence/ movement detected
No color	Malfunction or LED indication is disabled by configuration settings

Connector

The sensor connects to a Zhaga Book 18 4-pin twist and lock socket.

Wiring diagram



PIR occupancy detection area

The images below shows the occupancy coverage for the low-bay sensor and the high-bay sensor based on the industry NEMA test.

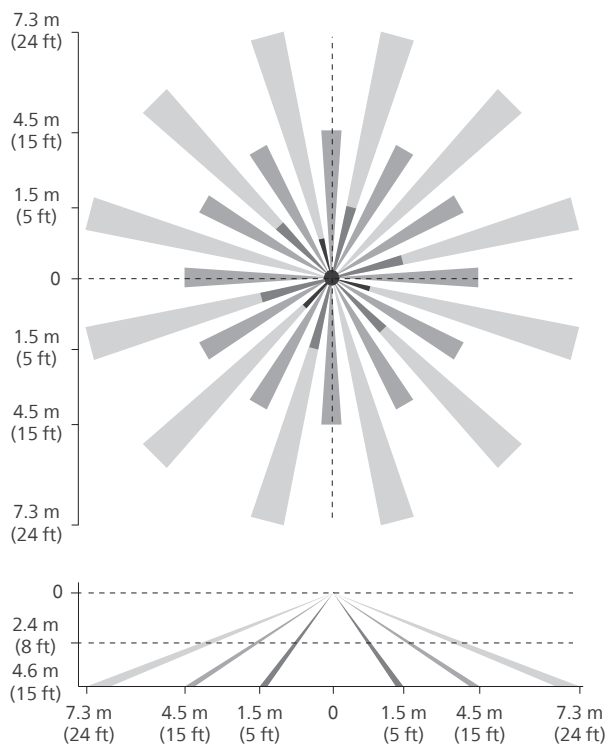


Note

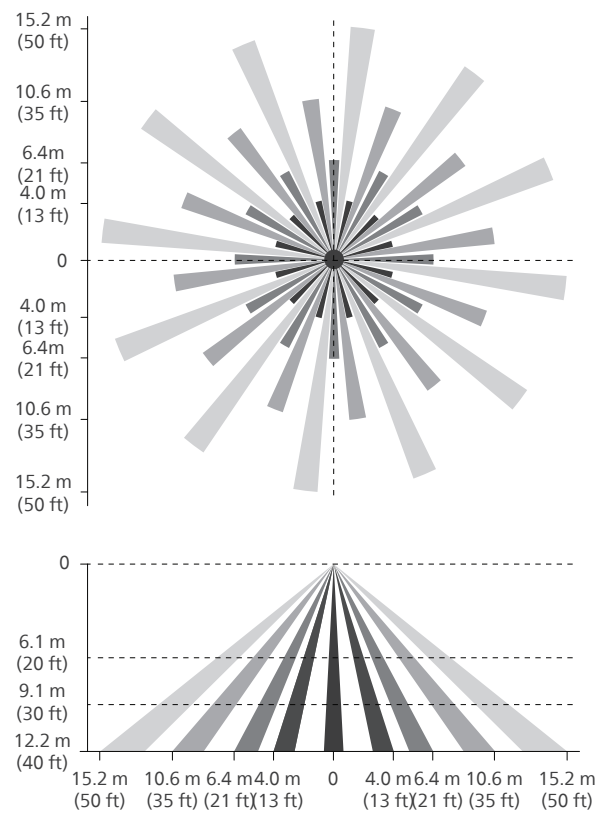
The beam pattern shown is intended solely as a general guide and is not to scale. Sensing capabilities and coverage area depend on many factors including the size, speed and direction of travel of persons and vehicles; sensor mounting height; environmental and site conditions; etc.



LCN4120/x5 LowBay



LCN4150/x5 HighBay



Specifications

Physical

Dimensions (h x w)	41.7 x 80.9 mm (1.64 x 3.18 in)
Weight	0.09 kg
Protection	IP66

Installation height

LCN4120/x5	2.1 to 4.6 m (7 to 15 ft)
LCN4150/x5	4.6 to 12.2 m (15 to 40 ft)

Environment

Operating Temperature	-40 to 55 °C (-40 to 131 °F)
Storage Temperature	-40 to 70 °C (-40 to 158 °F)
Humidity Operating	20 to 85% (non-condensing)
Humidity Storage	10 to 95% (non-condensing)

Wireless Communication

BLE	protocol 4.2 (5.1 compliant)
BLE range smartphone to sensor	15 m (49 ft)
Zigbee	light link protocol (IEEE 802.15.4)
Zigbee range sensor to sensor	49 m (160 ft)

Electrical

Supply Voltage	9 to 24 Vdc
Power Consumption operational	Typ. 4.5 mA at 24 V (108 mW)
Classification	Designed to be built into class I or class II luminaire, plenum rated

Reliability

Calculated failure rate at nominal supply voltage and 55 °C	300 ppm/1000 h
Estimated lifetime	100 k hours at 55 °C ambient temperature at full load

Compliances and approvals

EMC emission	FCC Part 15 - Subpart B ANSI C63.4-2014
EMC immunity	FCC Part 15 - Subpart B



Ordering data

Type	MOQ	Ordering number
LCN4120/05 WH IA Outdoor WL Sensor, low install height, white	1	9137 010 63113
LCN4120/15 BL IA Outdoor WL Sensor, low install height, black	1	9137 010 63313
LCN4150/05 WH IA Outdoor WL Sensor, high install height, white	1	9137 010 63213
LCN4150/15 BL IA Outdoor WL Sensor, high install height, black	1	9137 010 63413

© 2022 Signify Holding. All rights reserved. Specifications are subject to change without notice. No representation or warranty as to the accuracy or completeness of the information included herein is given and any liability for any action in reliance thereon is disclaimed. Philips and the Philips Shield Emblem are registered trademarks of Koninklijke Philips N.V. All other trademarks are owned by Signify Holding or their respective owners.

