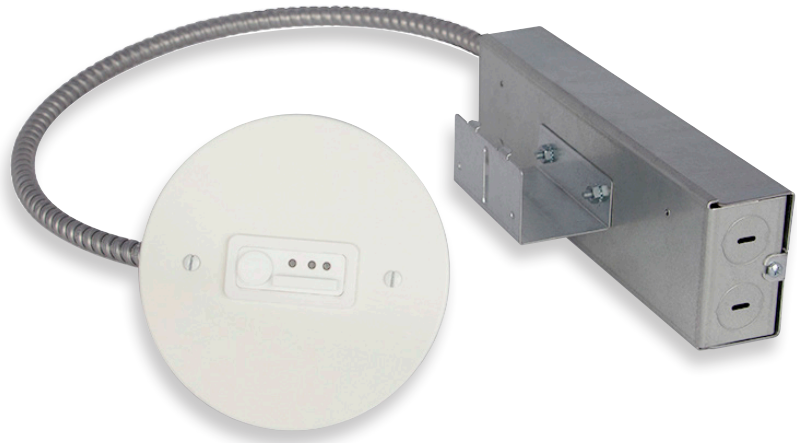


**PHILIPS**

RF 0-10V connector



## Specification Sheet

# RF 0-10V connector

## Accessory controller for Interact Pro

- The RF 0-10V controller is designed to connect luminaires to the Interact Pro system.
- Switch ON/OFF and dim with 0-10V the connected luminaire(s).
- Reports total energy usage of the connected luminaire(s) in the Interact Pro dashboard.
- The maximum load of the connector is 250 VA.

# RF 0-10V connector

## Features

- ON/OFF control and granular dimming capable.
- Can be programmed using Interact Pro app or dashboard.
- The device is Interact ready and can be easily linked to a wireless lighting system, for example Interact Pro.

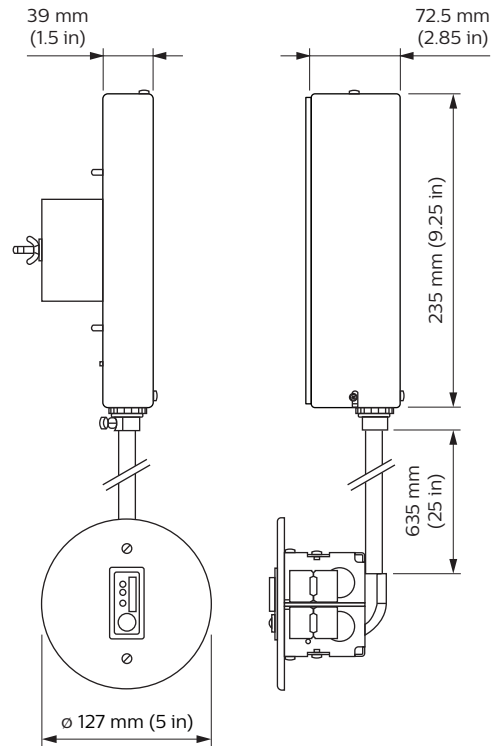
## Benefits

- Improve overall project flexibility and efficiency by controlling luminaire(s) using mains and 0-10V dimming.
- Energy reporting for the connected luminaire(s) capable.
- Minimal startup and configuration expertise savings on labor time & effort.
- Deep energy savings & code compliance strategies.

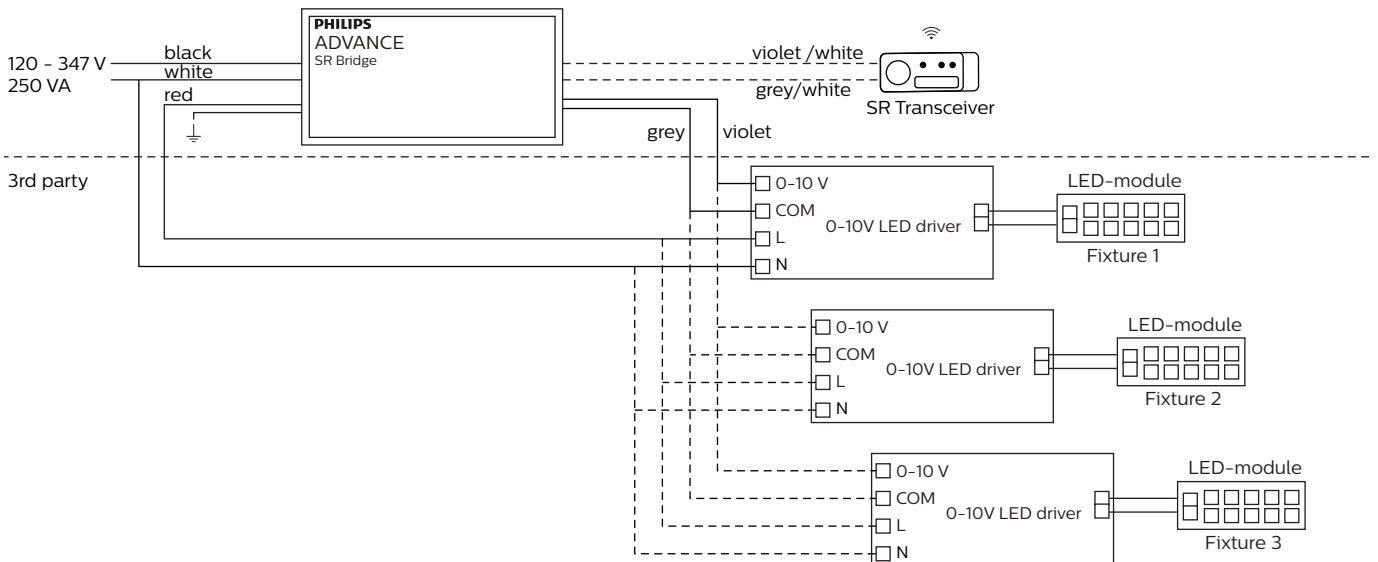
## Applications

- Conference rooms
- Individual offices
- Open offices
- Classrooms
- Storage and break areas
- Restrooms
- Lobbies
- Stairways

## Dimensional drawing



## Wiring



# Specifications

## Mechanical

Sensor box	16Ga. Galvanized steel housing
	Collapsible wing brackets for mounting into ceiling material thicknesses up to 1.5 inches
Controller Box Indoor	18Ga. Galvanized steel housing
	Mounts to standard T Bar Grid or to Luminaire mounting frame

## Electrical

Input line voltage	120 to 347 Vac $\pm 10\%$
Input line current	2.0 A (max. load at 120 Vac)
Line frequency	50/60 Hz
Power reporting accuracy	$\pm 0.9$ W $\pm 4\%$
Dimming profile	Linear 0-10V (default 1 – 8 V)

Max sinking or sourcing current	10 mA (programmable)
---------------------------------	----------------------

Compatible luminaires	0-10V LED luminaires
-----------------------	----------------------

## Environment

Temperature (operating)	0 to 55 °C (32 to 131 °F)
-------------------------	---------------------------

Temperature (storage and transport)	-25 to 85 °C (-13 to 185 °F)
-------------------------------------	------------------------------

Relative humidity (operating)	0% to 90% (non-condensing)
-------------------------------	----------------------------

Relative humidity (storage and transport)	0% to 95% (non-condensing)
---	----------------------------

## Approbations

Agency approbations	UL, CSA
---------------------	---------

	Tested and approved for use in plenums
--	--

## Warranty

Warranty period	5 years
-----------------	---------



## Ordering data

Type	Description
SRAIAP	Interact Pro 0-10V accessory controller

© 2020 Signify Holding. All rights reserved. Specifications are subject to change without notice. No representation or warranty as to the accuracy or completeness of the information included herein is given and any liability for any action in reliance thereon is disclaimed. Philips and the Philips Shield Emblem are registered trademarks of Koninklijke Philips N.V. All other trademarks are owned by Signify Holding or their respective owners.



[www.philips.com/lighting](http://www.philips.com/lighting)