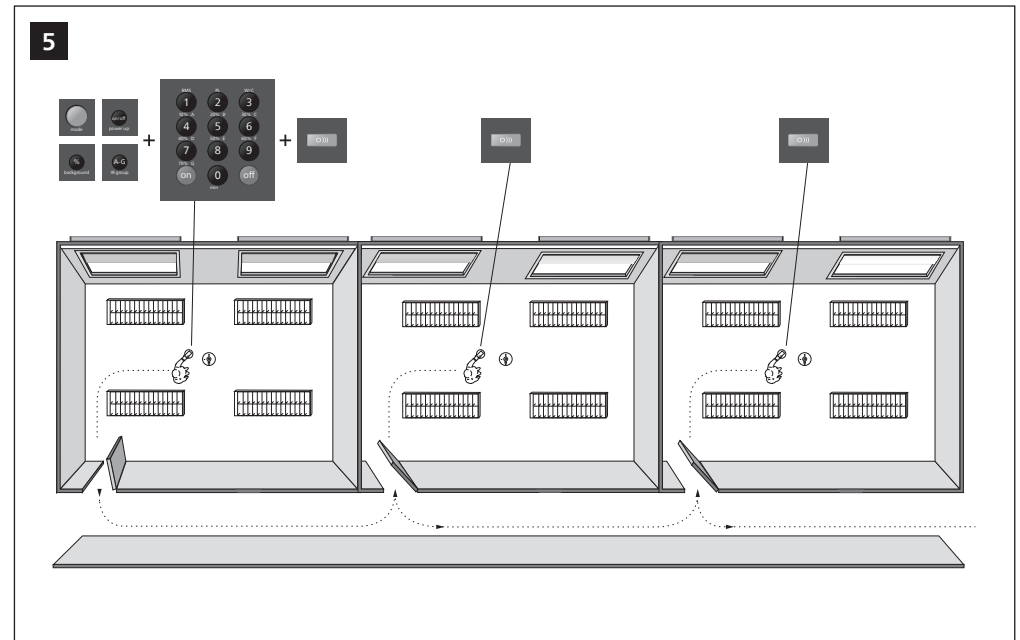
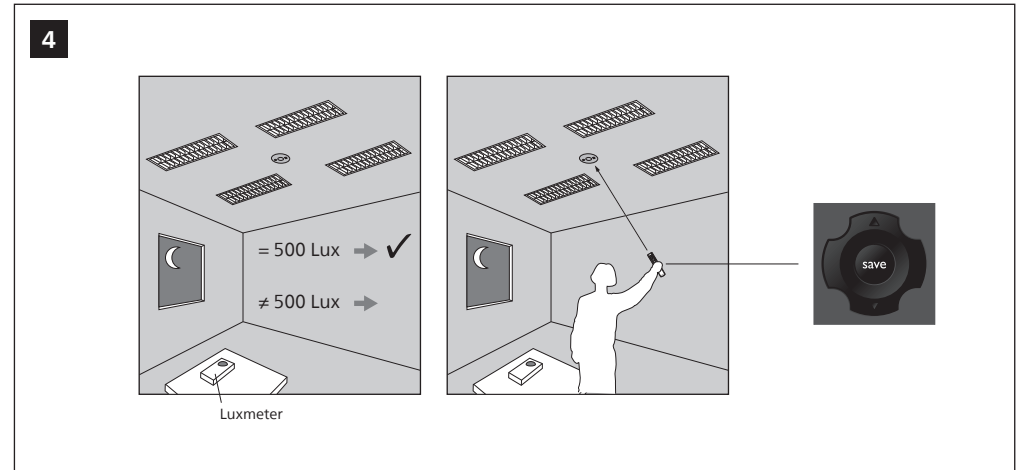
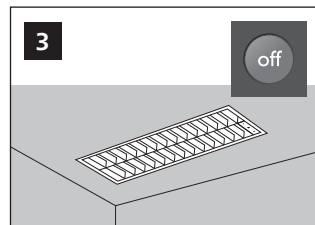
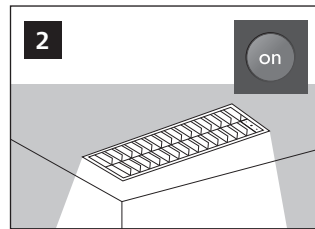
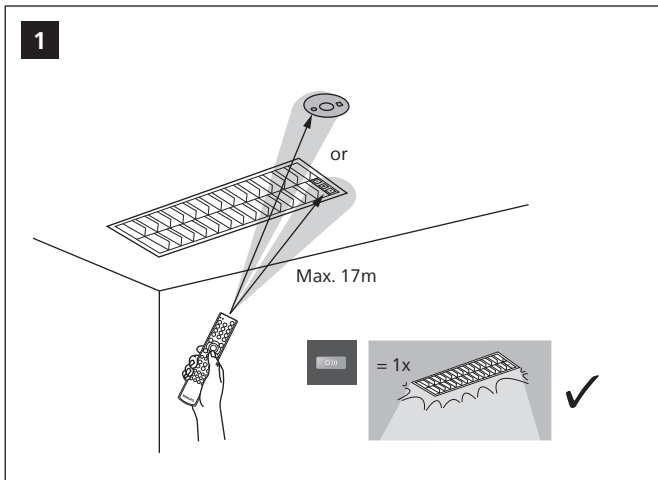
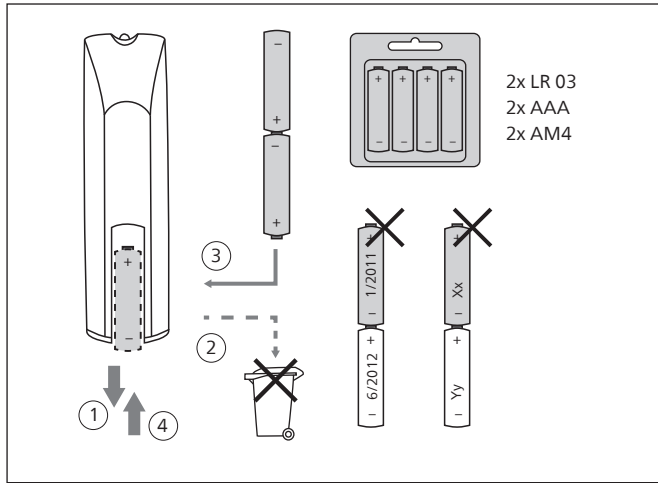


Operating Instructions



© 2019-2021 Signify Holding. All rights reserved. Specifications are subject to change without notice. No representation or warranty as to the accuracy or completeness of the information included herein is given and any liability for any action in reliance thereon is disclaimed. Philips and the Philips Shield Emblem are registered trademarks of Koninklijke Philips N.V. All other trademarks are owned by Signify Holding or their respective owners.
3222 636 40225

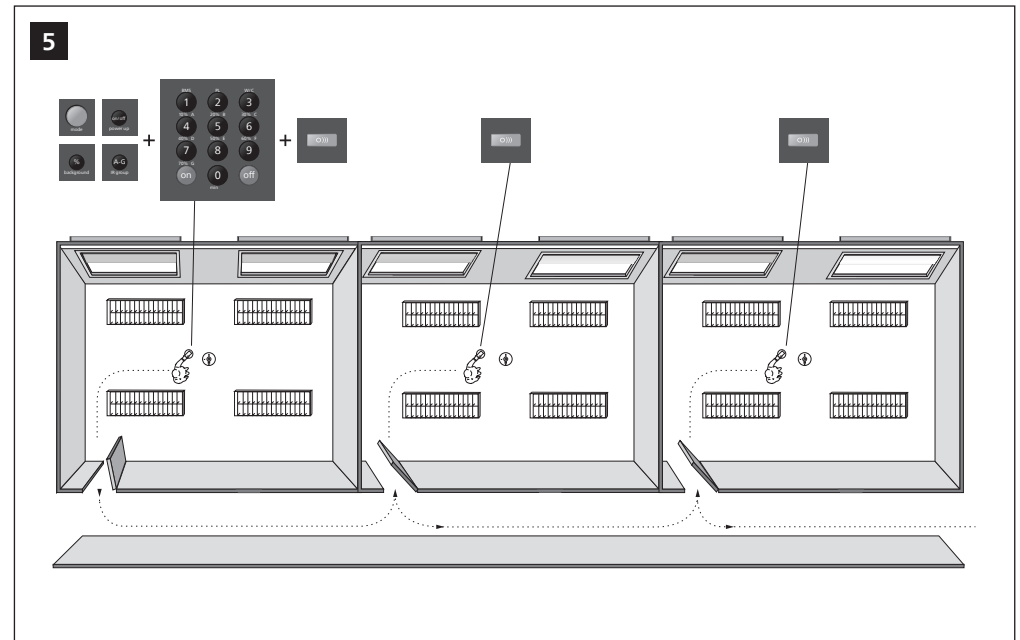
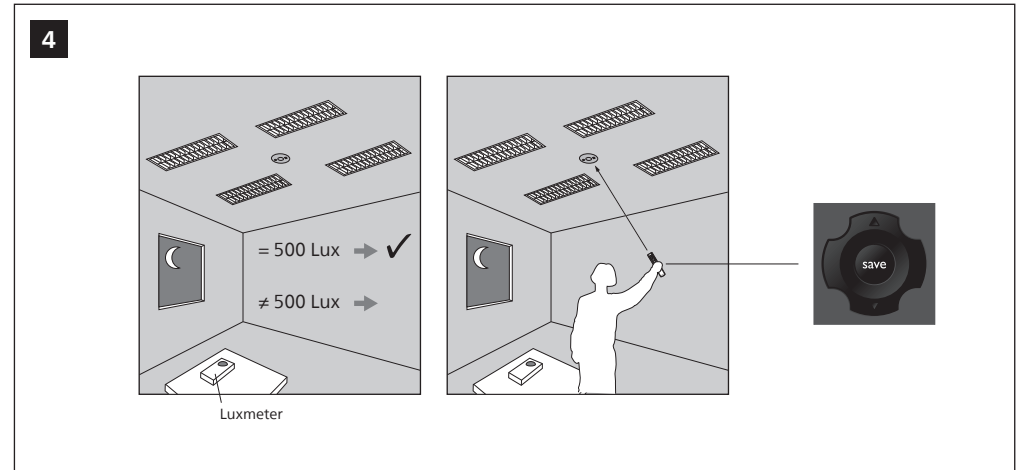
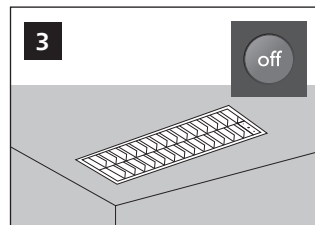
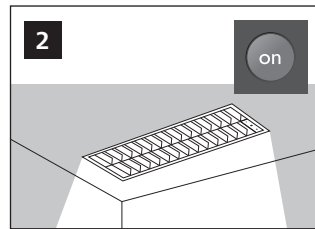
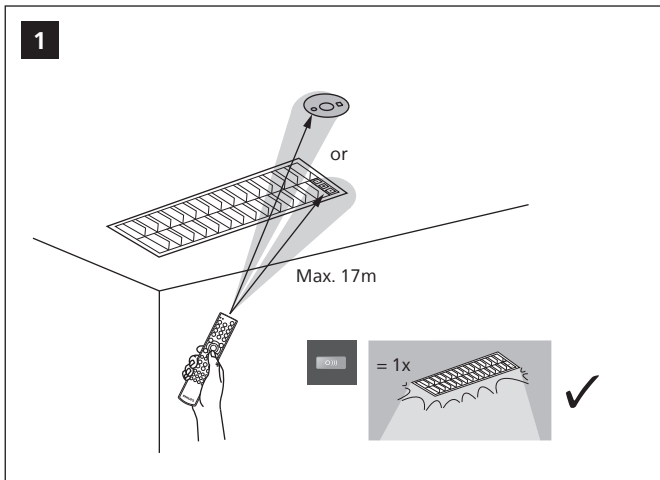
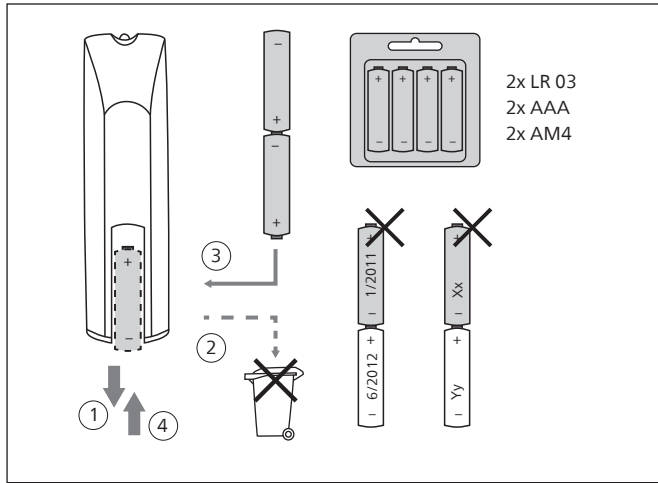
21 December 2021



UK importer address:
Signify Commercial UK Limited
3, Guildford Business Park, GU2 8XG

www.philips.com/lighting

Operating Instructions



© 2019-2021 Signify Holding. All rights reserved. Specifications are subject to change without notice. No representation or warranty as to the accuracy or completeness of the information included herein is given and any liability for any action in reliance thereon is disclaimed. Philips and the Philips Shield Emblem are registered trademarks of Koninklijke Philips N.V. All other trademarks are owned by Signify Holding or their respective owners.
3222 636 40225

21 December 2021



UK importer address:
Signify Commercial UK Limited
3, Guildford Business Park, GU2 8XG

www.philips.com/lighting

