

PHILIPS

DALI Extender



Specification Sheet

DALI Extender

The DALI Extender extends the SR bus to the DALI bus and enables multiple applications requiring to connect SR devices to DALI drivers or DALI emergency drivers. The DALI Extender provides supply to SR bus and DALI bus.

This device enables longer cost effective trunking lines with lower number of sensors, remote testing of emergency luminaires and connection to third-party tunable white drivers making our system inclusive.

The DALI Extender can be installed independently or be built-in to luminaire.

DALI Extender

Features

- SR/DALI transceiver
- Reinforced insulation between all ports
- DALI bus is protected for miswiring to mains, and has surge protections
- Supports third-party tunable driver DT8 drivers
- Each DALI Extender supports upto 20 DALI control gear
- Extends Interact system to:
 - Multiple DALI drivers with DALI part 251 to 253
 - DT8 tunable white drivers
 - Remote emergency testing of DALI emergency luminaire*
- Current limitation
- Short circuit protection
- Independent or built-in installation

Note

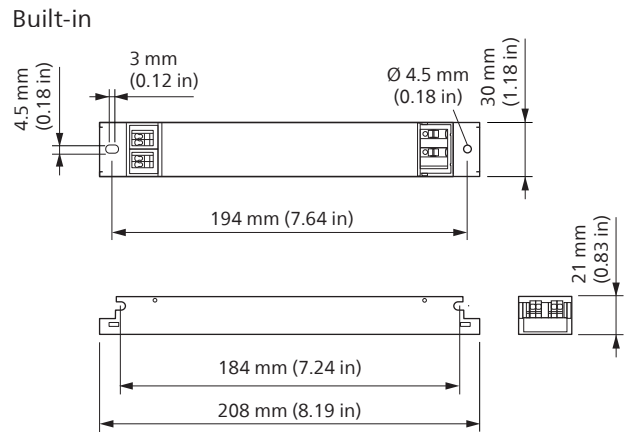
See system release notes for supported types of DALI drivers and emergency luminaires.

Applications

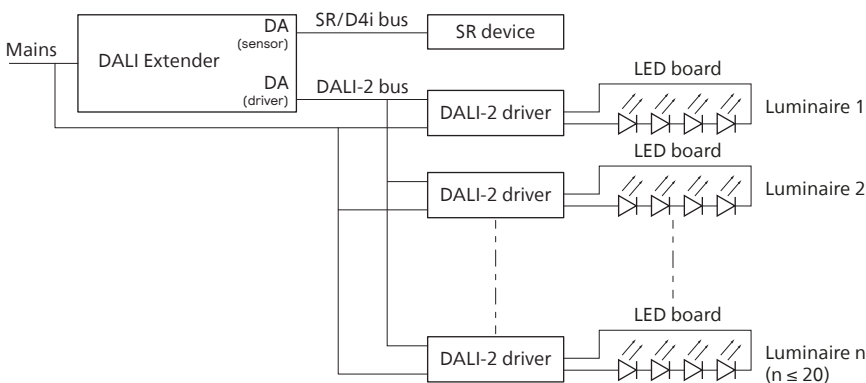
- Indoor applications
- Primary application space is cable trays in industry and in retail
- Used in dual standard systems

Dimensional drawing

Independent



Wiring diagram



Specifications

Physical information

Weight independent version	0.084 kg (2.96 oz)
Weight built-in version	0.065 kg (2.29 oz)
Input wire cross-section (solid or stranded conductor wire)	0.75 to 2.5 mm ² (AWG-18 to AWG-12)
Output wire cross-section (solid or stranded conductor wire)	0.3 to 1.5 mm ² (AWG-22 to AWG-16)
In- and output wire strip length	8.5 to 9.5 mm (0.31 to 0.35 in)
Input cable thickness	6 to 11 mm (0.24 to 0.43 in)
Output cable thickness	5 to 8 mm (0.20 to 0.31 in)
Maximum cable length SR/D4i bus	2 m (6,6 ft)
Housing	White polycarbonate (PC)

Environmental data

Operation ambient temperature	-40 to +60 °C (-40 to +140 °F), higher ambient temperature allowed as long as T _{case-max} is not exceeded
T _{case-max}	75 °C (167 °F)
Operation relative humidity	10 to 90%, non condensing
Storage temperature	-40 to +85 °C (-40 to +185 °F)
Storage humidity	5 to 95%, non condensing

Electrical input data

Rated AC input voltage	220 to 240 V _{ac} , tolerance ±10%
AC input frequency	50 to 60 Hz
Rated DC input voltage (emergency application)	186 to 250 V _{dc}
Surge protection differential mode	2 kV
Surge protection common mode	4 kV
Standby power	0.5 W, no load on SR and DALI port at rated AC input voltage

Electrical output data SR port

Output voltage	12 to 20.5 V _{dc}
Minimal guaranteed output current	92 mA
Maximum output current	125 mA
Surge protection differential mode	0.03 kV
Surge protection common mode	0.25 kV

Electrical output data DALI port

Output voltage	12 to 20.5 V _{dc}
Minimal guaranteed output current	52 mA
Maximum output current	70 mA
Surge protection differential mode	0.5 kV
Surge protection common mode	1.0 kV

Lifetime

Lifetime at Tcase = 60 °C (140 °F)	100 000 hours, maximum failures = 10%
Failure rate at Tcase = 60 °C (140 °F)	<1 000 PPM, per 1 000 hour

Compliance and approval

IEC 61347-2-11	Lamps and related equipment
IEC 62386-101:2022	DALI General requirements system components
GB/T 15092.1-2010	Switches for appliances - part 1
GB 19510.12-2005	Lamp control gear - part 12
GB/T 17743-2021	EMC standard

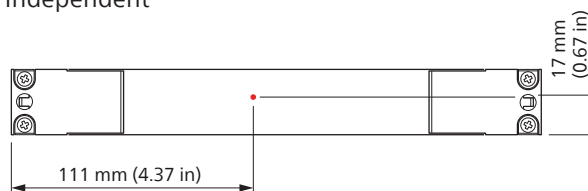


Ordering Data

Type	MOQ	Order code
DALI Extender	1	9137 010 66203

Temperature measuring point

Independent



Built-in

