

PHILIPS

UID8470/10

Wireless switch,
dim



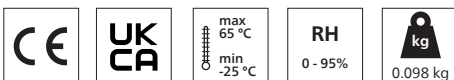
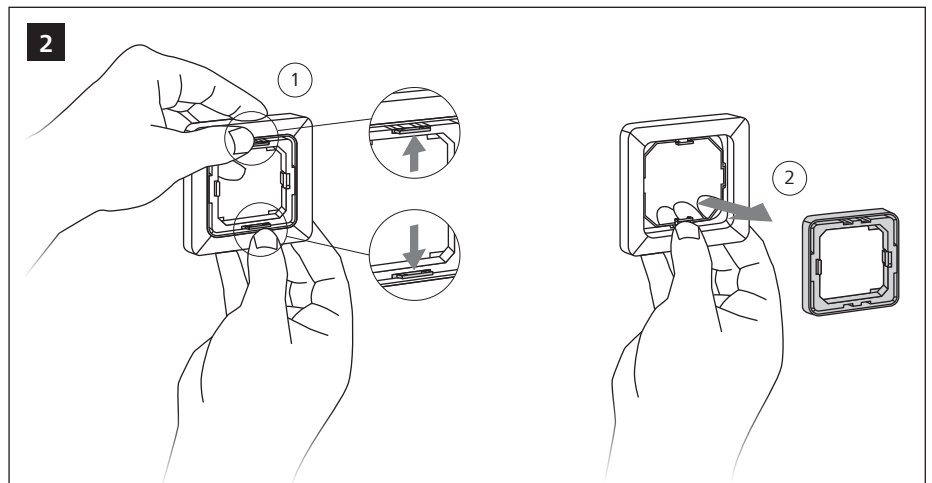
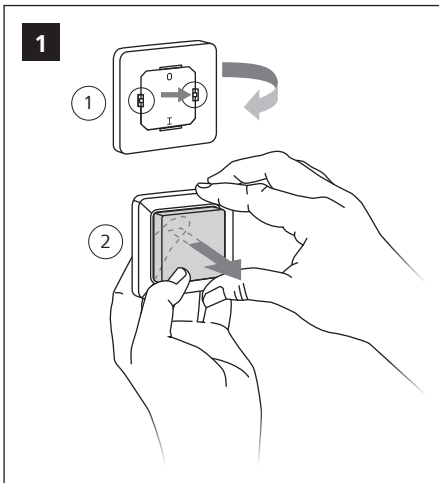
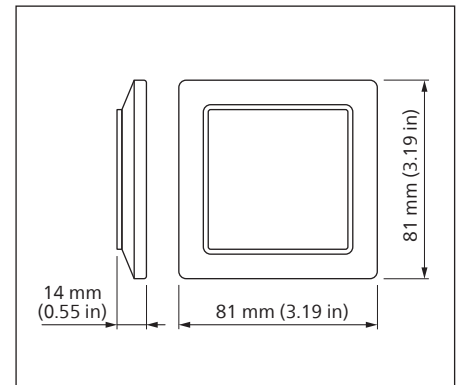
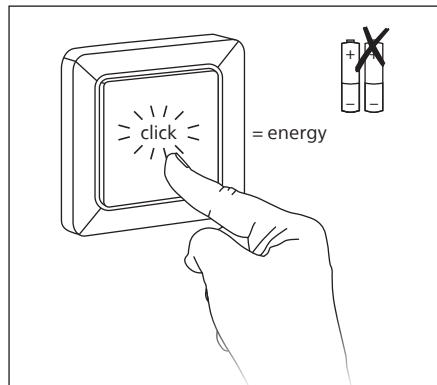
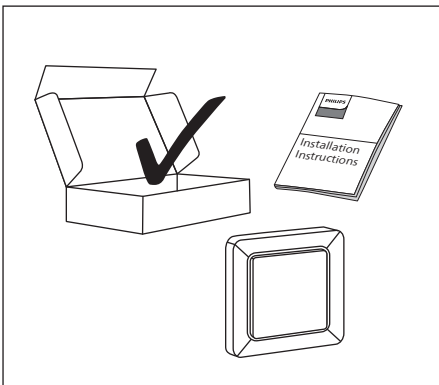
Installation Instructions

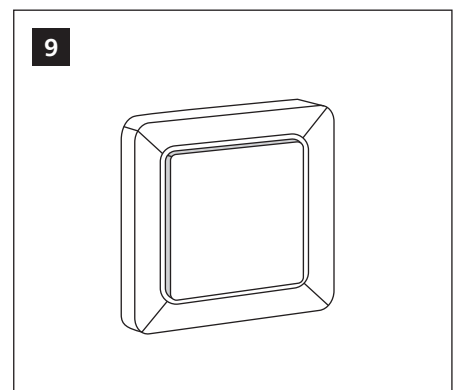
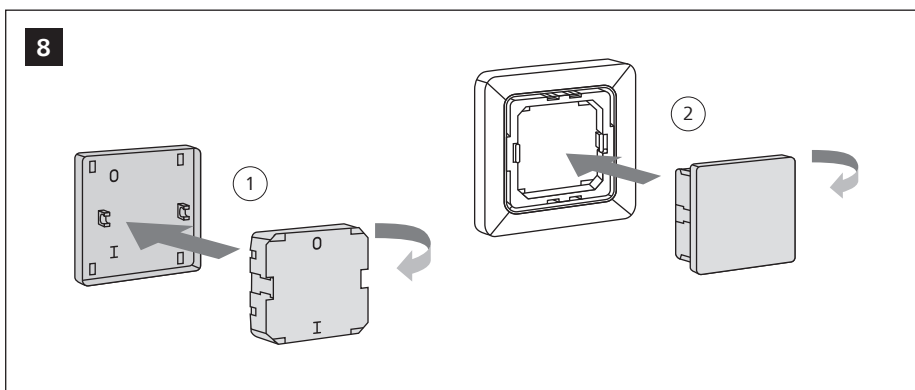
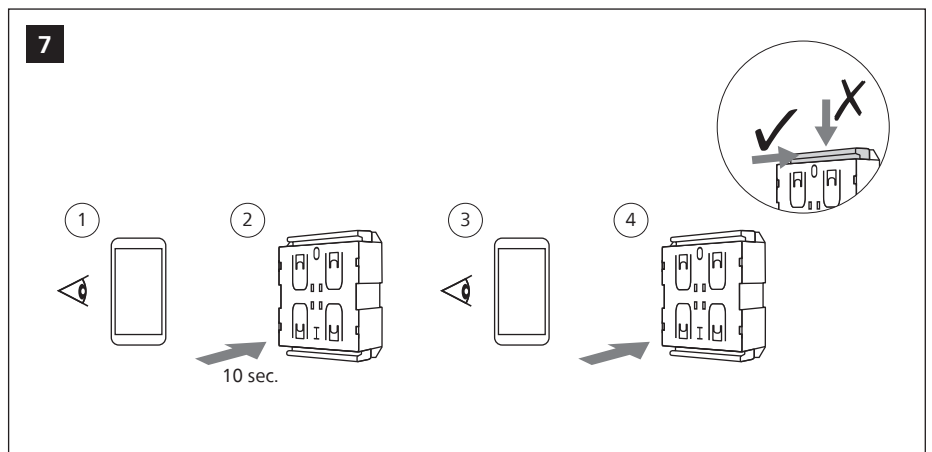
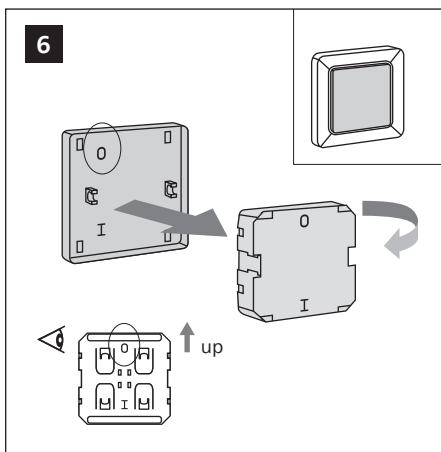
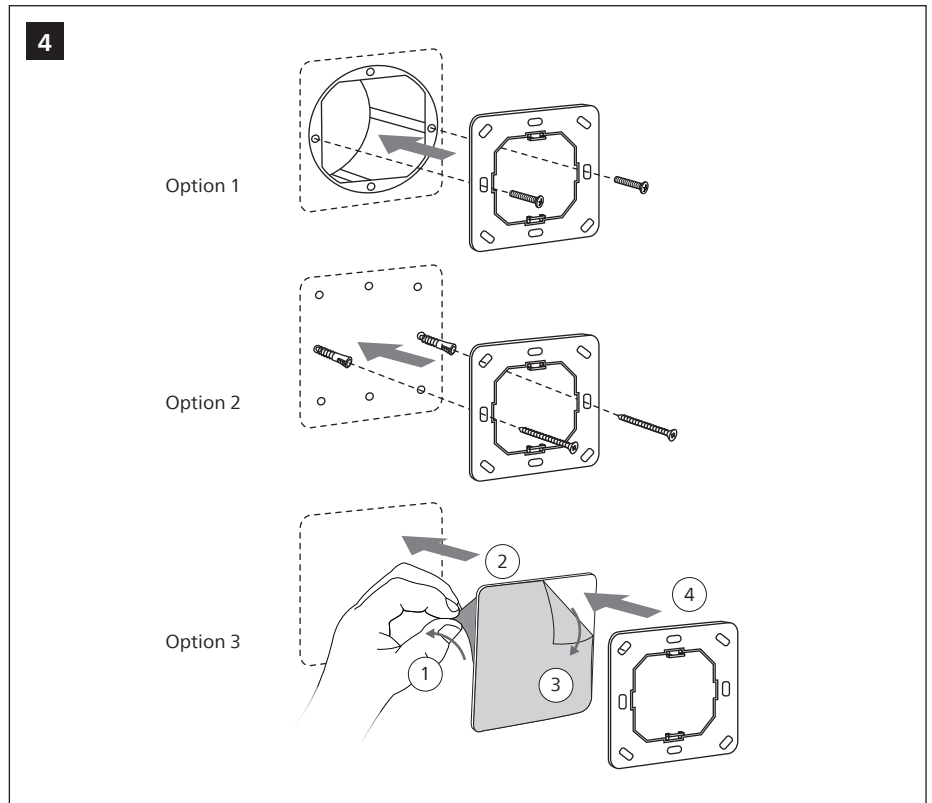
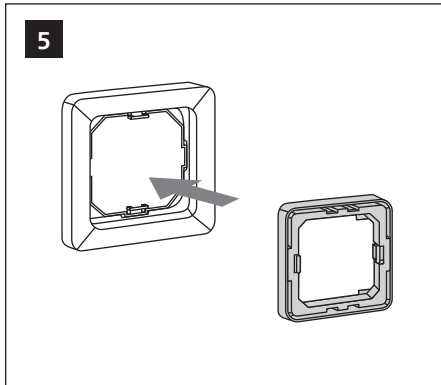
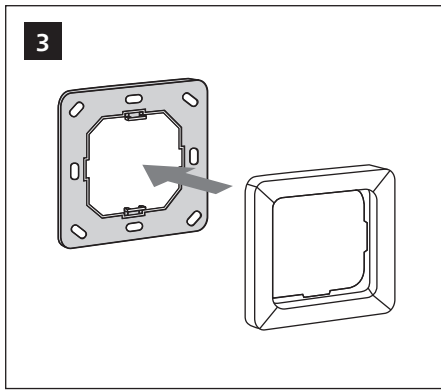
Instructions d'installation
Instrucciones de instalación

Istruzioni per l'installazione
Installatie-instructies

Installationsanweisungen
インストール手順

安裝指示书
إرشادات التركيب





Hereby, Signify declares that the radio equipment type UID8470/10 is in compliance with Directive 2014/53/EU. The full text of the EU declaration of conformity is available at the following Internet address: <http://www.philips.com/red>

