

# PHILIPS

RF-DALI connector



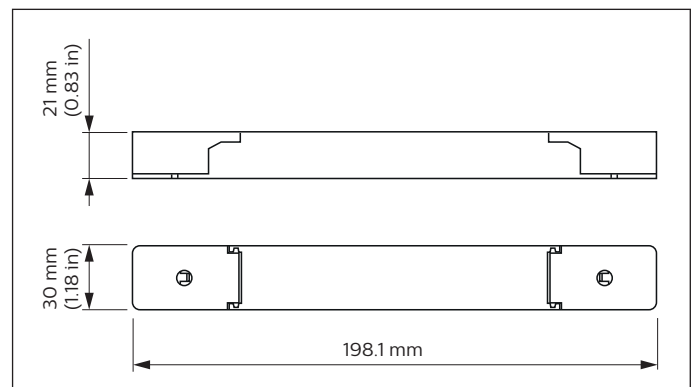
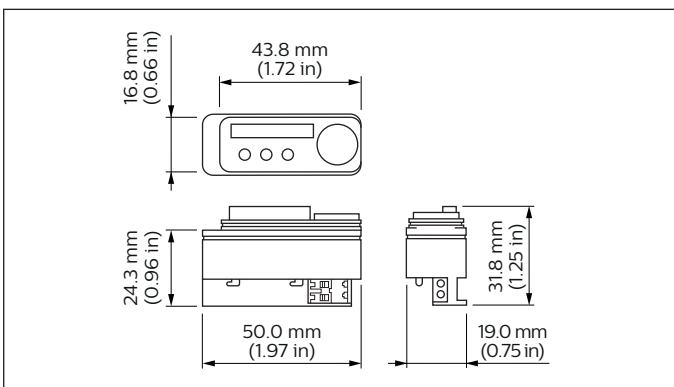
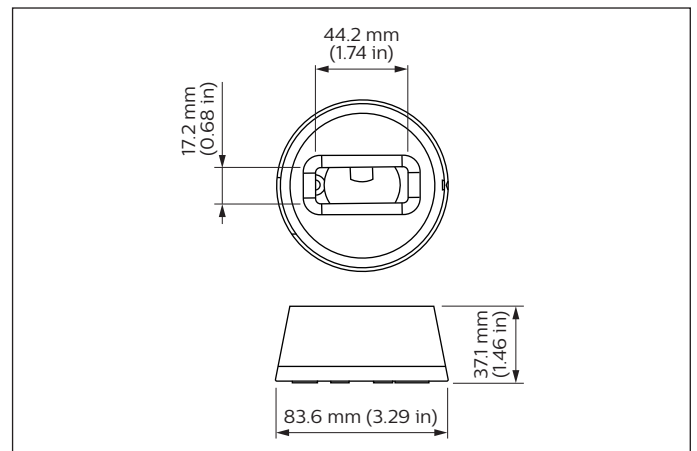
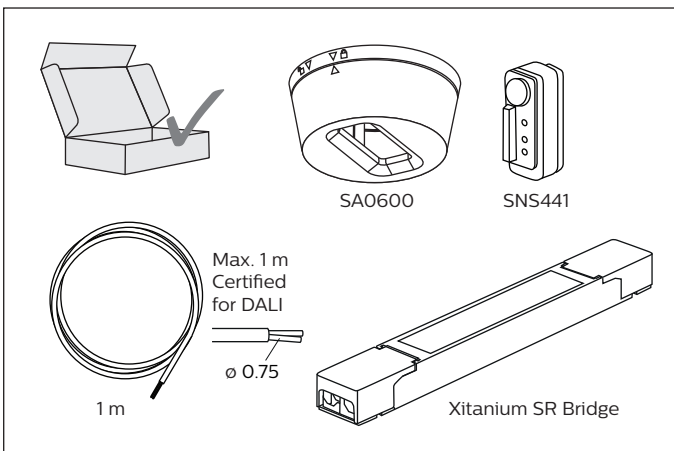
## Installation Instructions

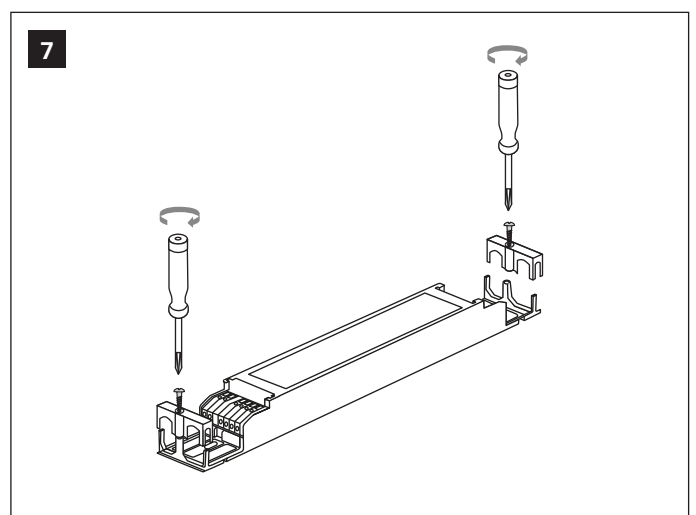
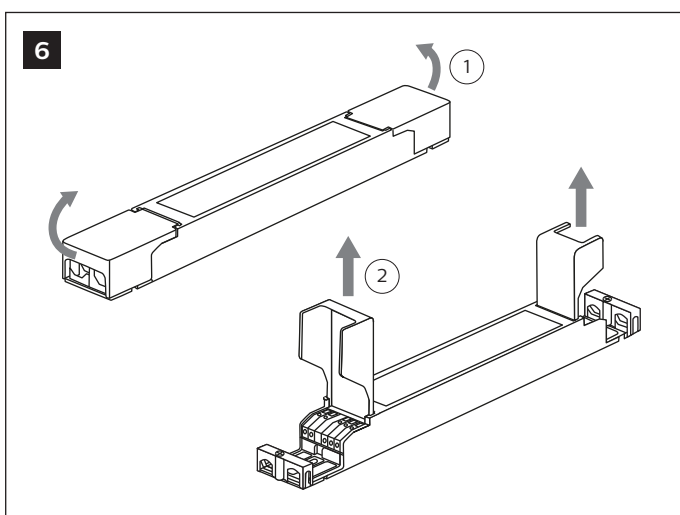
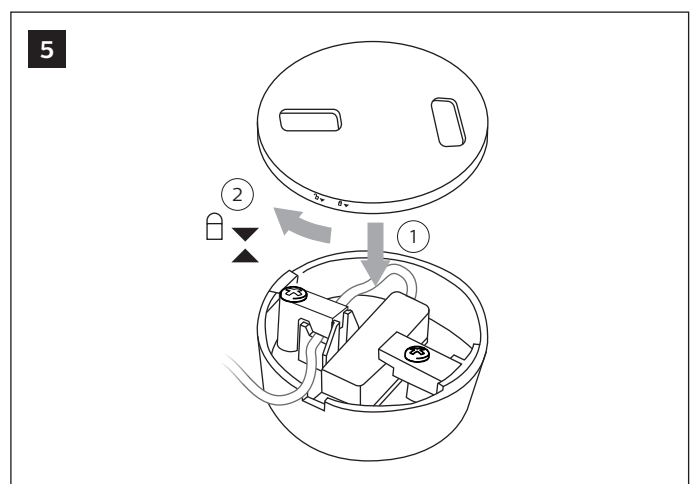
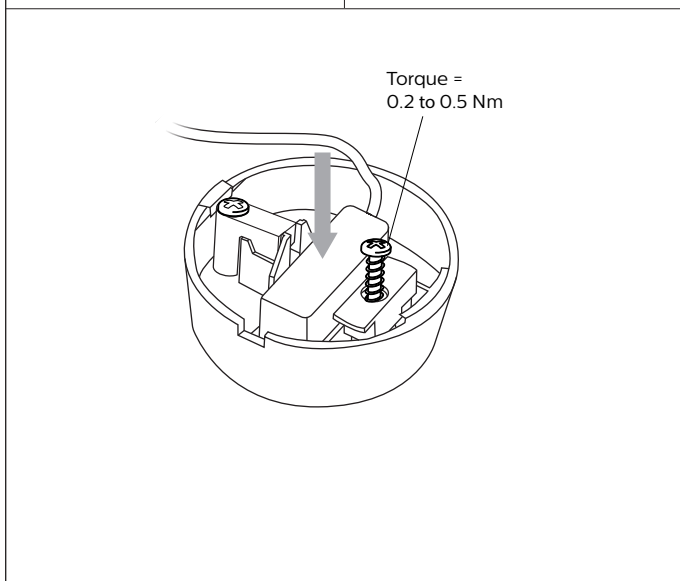
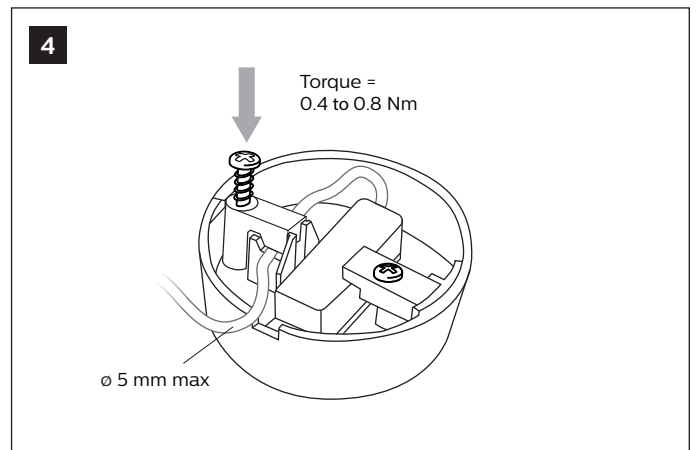
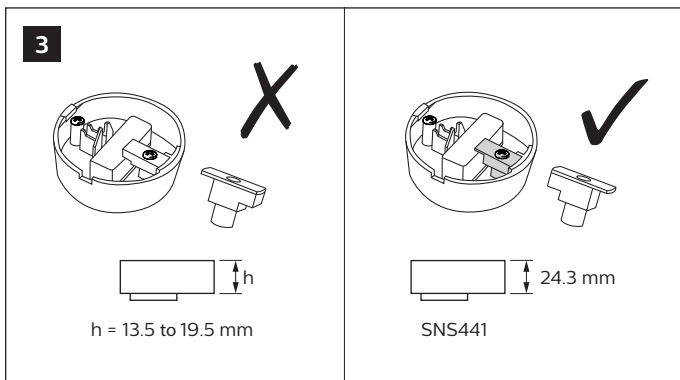
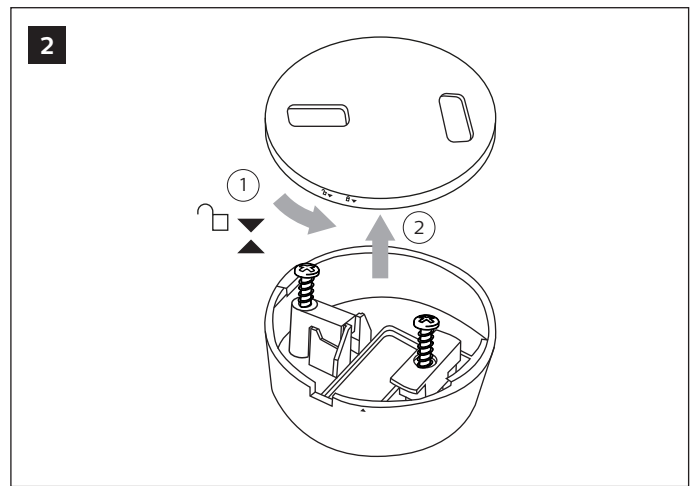
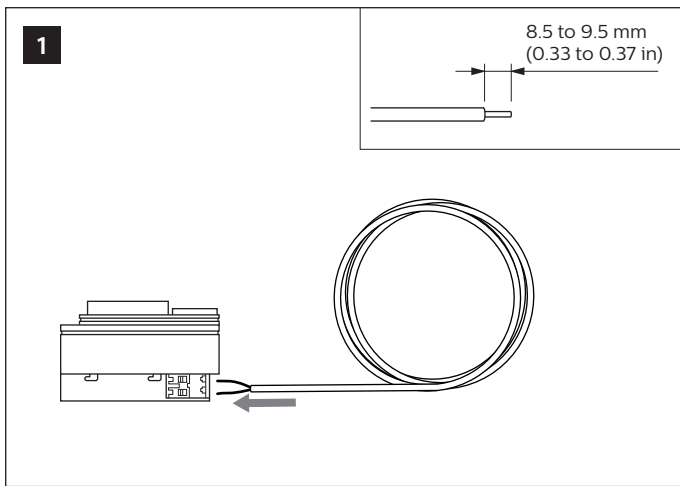
Instructions d'installation  
Instrucciones de instalación

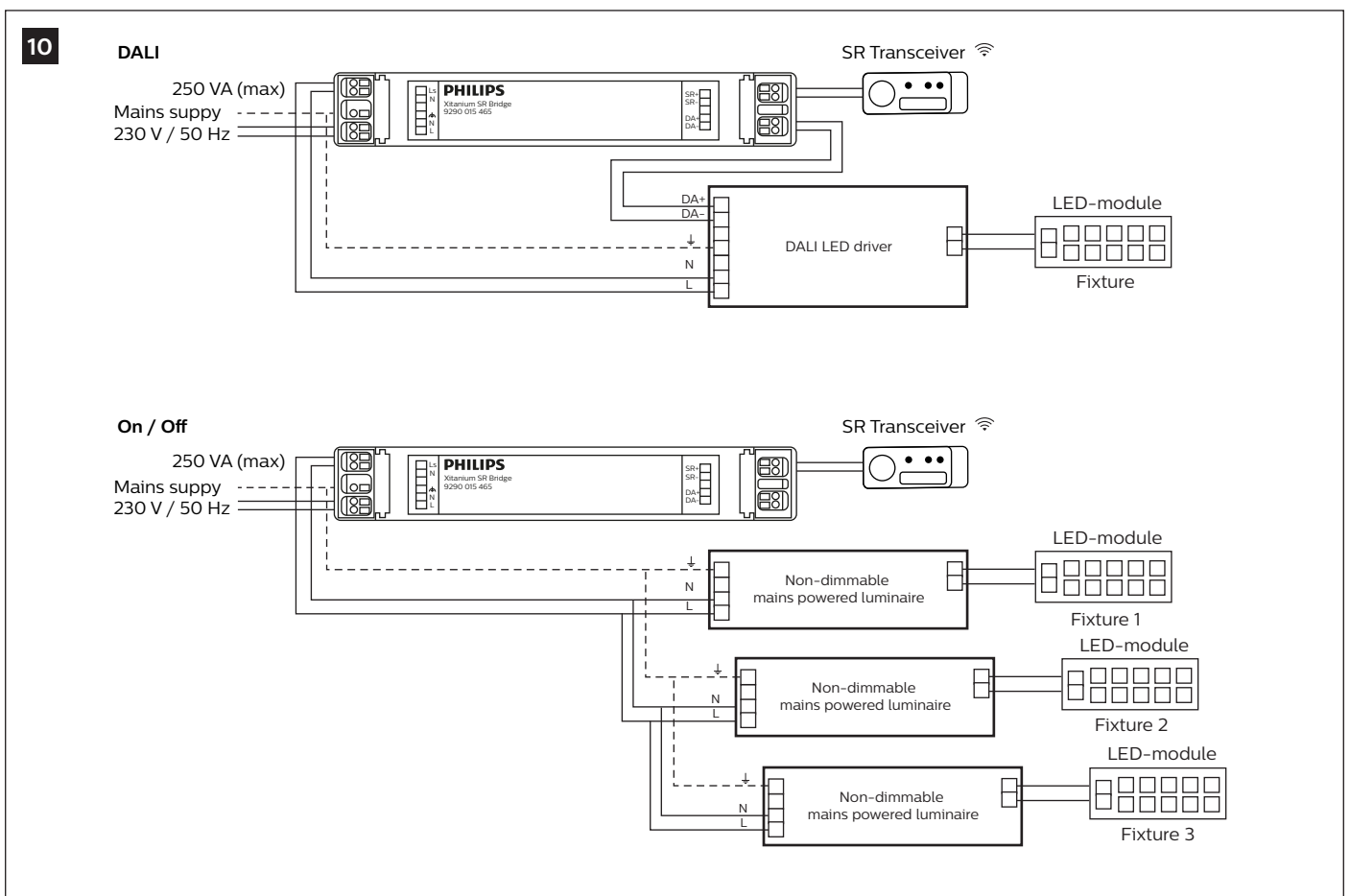
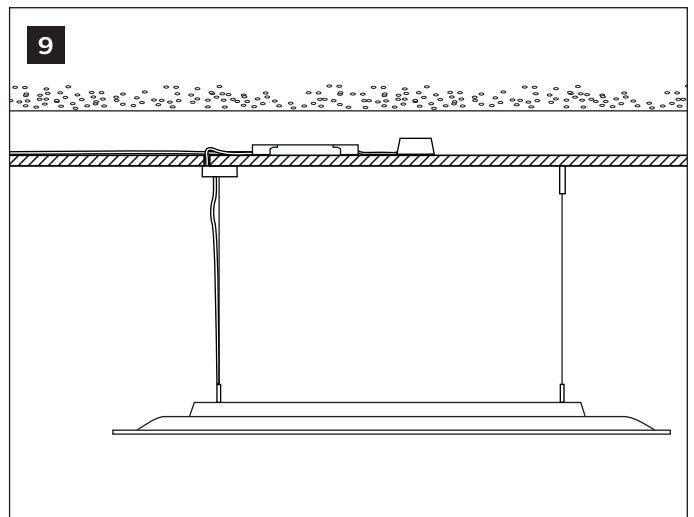
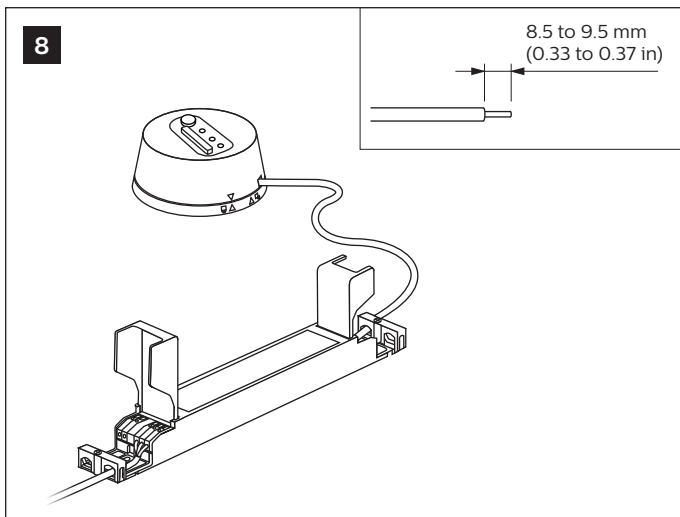
Istruzioni per l'installazione  
Installatie-instructies

Installationsanweisungen  
インストール手順

安裝指示书  
إرشادات التركيب







**Warning**  
Do not connect the RF-DALI connector to a DC power grid  
(for example a central emergency system).

