

PHILIPS

Wireless switch

UID8480



Specification Sheet

UID8480

Zigbee Green Power switch

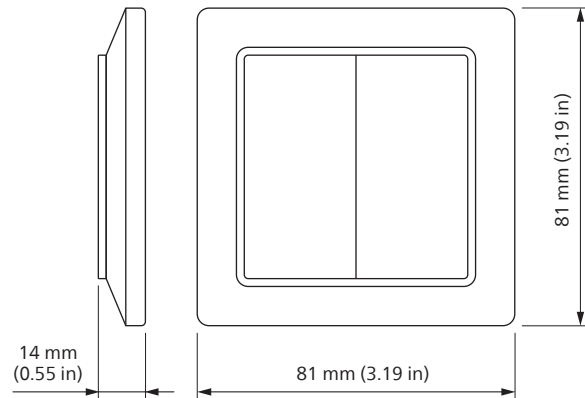
- No wiring and power connections required so easy to install.
- Low mechanical force required to operate the device (typically less than 8 Newton).
- Indoor distance that can be covered is typically 10 m for line-of-sight installations. When there are walls this will be reduced depending on the type and thickness of the walls.
- Supports tunable white CCT control.

UID8480

Features and benefits

- Provides switch and scene selection functionality.
- Wireless communication based on the ZigBee Pro standard (IEEE 802.15.4, WPAN). There is no need to connect to any electrical power supply as the device is battery powered.
- When a button is pressed, or released, a message is sent including a unique 32 bit identifier which prevents interferences with other devices.
- Briefly pressing the rocker either switches lights On or Off or selects a predefined scene.
- The device is Interact ready and can be easily linked to a wireless standalone or connected lighting system.
- The devices are easy to install and use. Additional information can be found in the appropriate installation instructions.

Dimensional drawing



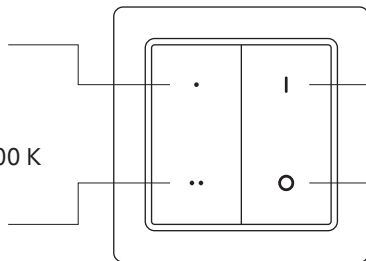
Applications

Scene 1 recall

Configurable via app
Short press for scene
Long press tune up,
move towards CCT 6500 K

Scene 2 recall

Configurable via app
Short press for scene
Long press tune down,
move towards CCT 2700 K



ON state
Dim up state long press

OFF state
Dim down state long press

Specifications

Communication

Wireless	Zigbee PRO Green Power IEEE 802.15.4 WPAN
Data rate	250 kbps
Carrier frequency	2.4 GHz
Transmission distances (typical values)*	
Indoor (plasterboard)	10 m (33 ft); max. 3 walls
Indoor reinforced concrete	7 m (23 ft); max 1 wall/ceiling

Physical

Dimensions (H x W x D)	81 x 81 x 14 mm (3.19 x 3.19 x 0.55 in)
Weight	0.098 kg (0.22 lb)
Housing	Polycarbonate
Color	White (similar to RAL9000)
Lifetime	> 50,000 actuations

Environment

Temperature (operating)	-25 to 65 °C (-13 to 149 °F)
Relative humidity (operating)	0% to 95% (non-condensing)
Temperature (storage and transport)	-25 to 65 °C (-13 to 149 °F)
Relative humidity (storage and transport)	0% to 95% (non-condensing)

* Distance is largely influenced by the wall/ceiling material and the angle that the transmitted signal is intersecting with. Note: fire-safety walls, elevator shafts and so on are considered as shielding.

Compliances and approvals

Protection rating	IP20
Electromagnetic compatibility (EMC)	EN 61000-6-2:2005 EN 61000-6-4:2007+A1:2011
Quality standard	ISO9001
Environmental standard	ISO14001, CE2522
Restriction of Hazardous Substances (RoHS)	2011/65/EU Annex 2015/863/EU

Wireless

Radio Equipment Directive	RED 2014/53/EU
Electronic compatibility and radio spectrum matters (ERM)	EN 301489-1:V2.2.0 EN 301489-17:V3.2.0
Wideband transmission systems	ETSI EN 300 328: V1.8.1



Packing data

Type	Dimensions	Qty	Material	Weight	
				net	gross
Single pack	205 x 95 x 95 mm (80.7 x 37.4 x 37.4 in)	10	Cardboard	0.6 kg (1.3 lb)	0.7 kg (1.5 lb)

Ordering data

Type	MOQ	Ordering number	EAN1	EAN2	EOC
UID8480/10 ZGP Switch Scene recall 4B	10	9137 010 55803	8719514 273801	8719514 273818	273801 00

© 2020-2022 Signify Holding. All rights reserved. Specifications are subject to change without notice. No representation or warranty as to the accuracy or completeness of the information included herein is given and any liability for any action in reliance thereon is disclaimed. Philips and the Philips Shield Emblem are registered trademarks of Koninklijke Philips N.V. All other trademarks are owned by Signify Holding or their respective owners.



www.philips.com/lighting